

# Acer Altos R910 Series

## User's Guide

Copyright © 2006 Acer Incorporated  
All Rights Reserved.

Acer Altos R910 Series  
User's Guide

Changes may be made periodically to the information in this publication without obligation to notify any person of such revision or changes. Such changes will be incorporated in new editions of this manual or supplementary documents and publications. This company makes no representations or warranties, either expressed or implied, with respect to the contents hereof and specifically disclaims the implied warranties of merchantability or fitness for a particular purpose.

Record the model number, serial number, purchase date, and place of purchase information in the space provided below. The serial number and model number are recorded on the label affixed to your server. All correspondence concerning your unit should include the serial number, model number, and purchase information.

No part of this publication may be reproduced, stored in a retrieval system, or transmitted, in any form or by any means, electronic, mechanical, photocopy, recording, or otherwise, without the prior written permission of Acer Incorporated.

Acer Altos R910

Model Name : \_\_\_\_\_

Part Number: \_\_\_\_\_

Purchase Date: \_\_\_\_\_

Place of Purchase: \_\_\_\_\_

Acer and the Acer logo are registered trademarks of Acer Inc. Other company's product names or trademarks are used herein for identification purposes only and belong to their respective companies.

# Notices

## FCC notice

### Class A equipment

This device has been tested and found to comply with the limits for a Class A digital device pursuant to Part 15 of the FCC Rules. These limits are designed to provide reasonable protection against harmful interference when the equipment is operated in a commercial environment. This equipment generates, uses, and can radiate radio frequency energy, and if not installed and used in accordance with the instructions, may cause harmful interference to radio communications. Operation of this equipment in a residential area is likely to cause harmful interference, in which case the user will be required to correct the interference at personal expense.

However, there is no guarantee that interference will not occur in a particular installation. If this device does cause harmful interference to radio or television reception, which can be determined by turning the device off and on, the user is encouraged to try to correct the interference by one or more of the following measures:

- Reorient or relocate the receiving antenna
- Increase the separation between the device and receiver
- Connect the device into an outlet on a circuit different from that to which the receiver is connected
- Consult the dealer or an experienced radio/television technician for help

### Notice: Shielded cables

All connections to other computing devices must be made using shielded cables to maintain compliance with FCC regulations.

### Notice: Peripheral devices

Only peripherals (input/output devices, terminals, printers, etc.) certified to comply with the Class A limits may be attached to this equipment. Operation with noncertified peripherals is likely to result in interference to radio and TV reception.



**Caution!** Changes or modifications not expressly approved by the manufacturer could void the user's authority, which is granted by the Federal Communications Commission, to operate this server.

## Use conditions

This part complies with Part 15 of the FCC Rules. Operation is subject to the following two conditions: (1) this device may not cause harmful interference, and (2) this device must accept any interference received, including interference that may cause undesired operation.

## Notice Canadian users

This device does not exceed the Class A limits for radio noise emissions from digital apparatus set out in the interference-causing equipment standard entitled "Digital Apparatus" ICES-003 of the Canadian Department of Communications.

## Laser compliance statement

The DVD-ROM drive in this server is a laser product. The optical drive's classification label (shown below) is located on the drive.

CLASS 1 LASER PRODUCT

**CAUTION:** INVISIBLE LASER RADIATION WHEN OPEN. AVOID EXPOSURE TO BEAM.

# Important safety instructions

Read these instructions carefully. Save these instructions for future reference.

- 1 Follow all warnings and instructions marked on the product.
- 2 Unplug this product from the wall outlet before cleaning. Do not use liquid cleaners or aerosol cleaners. Use a damp cloth for cleaning.
- 3 Do not use this product near water.
- 4 Do not place this product on an unstable cart, stand, or table. The product may fall, causing serious damage to the product.
- 5 Slots and openings on the back or bottom side of the chassis are provided for ventilation; to ensure reliable operation of the product and to protect it from overheating, these openings must not be blocked or covered. The openings should never be blocked by placing the product on a bed, sofa, rug, or other similar surface. This product should never be placed near or over a radiator or heat register, or in a built-in installation unless proper ventilation is provided.
- 6 This product should be operated from the type of power indicated on the marking label. If you are not sure of the type of power available, consult your dealer or local power company.
- 7 Do not allow anything to rest on the power cord. Do not locate this product where persons will walk on the cord.
- 8 If an extension cord is used with this product, make sure that the total ampere rating of the equipment plugged into the extension cord does not exceed the extension cord ampere rating. Also, make sure that the total rating of all products plugged into the wall outlet does not exceed the fuse rating.
- 9 Never push objects of any kind into this product through the chassis slots as they may touch dangerous voltage points or short out parts that could result in a fire or electric shock. Never spill liquid of any kind on the product.
- 10 Do not attempt to service this product yourself, as opening or removing covers may expose you to dangerous voltage points or other risks. Refer all servicing to qualified service personnel.
- 11 Unplug this product from the wall outlet and refer servicing to qualified service personnel under the following conditions:
  - a When the power cord or plug is damaged or frayed
  - b If liquid has been spilled on the product
  - c If the product has been exposed to rain or water

- d If the product does not operate normally when the operating instructions are followed. Adjust only those controls that are covered by the operating instructions since improper adjustment of other controls may result in damage and will often require extensive work by a qualified technician to restore the product to normal condition.
  - e If the product has been dropped or the chassis has been damaged
  - f If the product exhibits a distinct change in performance, indicating a need for service.
- 12 Replace the battery with the same type as the product's battery we recommend. Use of another battery type may present a risk of fire or explosion. Refer battery replacement to a qualified service technician.
- 13 **Warning!** Batteries may explode if not handled properly. Do not disassemble or dispose of them in fire. Keep them away from children and dispose of used batteries promptly.
- 14 Use only the proper type of power supply cord set (provided in your accessories box) for this unit. It should meet the following criteria:
- An IEC 320 C13 connector to plug into the power supply on the server.
  - For North America or similar electrical distribution systems: UL listed/ CSA certified, 16/3 type SJT/SO, with NEMA 6-15P SPT-2, or equivalent attachment plug.
  - For Europe or similar electrical distribution systems: VDE certified or HAR rated 250V, 3 x 1.0mm<sup>2</sup> minimum conductor size, rather for no less than the product ratings.
  - Maximum length is 14.76 feet (4.5 meters).

# Contents

Notices	iii
FCC notice	iii
Laser compliance statement	iv
Important safety instructions	v
1 System tour	1
Features summary	3
External and internal structure	7
Front bezel	7
Front panel	8
Rear panel	13
Internal components	16
System boards	17
Mainboard	17
SCSI backplane board	19
Hot-plug memory board	20
System jumpers	22
2 System setup	23
Setting up the system	25
Pre-installation requirements	25
Connecting peripherals	26
Turning on the system	27
Power-on problems	28
Configuring the system OS	29
Turning off the system	30
3 System upgrade	31
Installation precautions	33
ESD precautions	33
Pre-installation instructions	33
Post-installation instructions	34
Opening the server	35
Removing the front bezel	35
Installing the front bezel	36
Removing the top cover	36
Installing the top cover	37
Removing the CPU air baffle	38
Installing the CPU air baffle	39
Removing the center brace	40
Installing the center brace	41

Removing a memory board air baffle	42
Installing a memory board air baffle	43
Configuring hot-pluggable components	44
Hard disk drives	45
Installing a HDD	46
System fan assembly	47
Power supply	49
Memory board	51
PCI card	55
Configuring cold-pluggable components	57
DVD drive	58
5.25-inch drive	60
Processor	62
Processor core VRMs	66
Memory board	69
DIMM modules	72
PCI card	76
ARMC/3 (optional) or BMC module	77
Configuring integrated SCSI hardware RAID components	79
RAID activation key	80
RAID cache	81
RAID BBU	83
4 BIOS setup	87
Introduction	89
System options menu	90
BIOS setup	96
Using the BIOS menus	98
Main	98
Processor	100
Memory	103
Devices	109
Server Management	117
Security	122
Save, Restore & Exit	124
Upgrading the BIOS	125
5 Troubleshooting	127
Troubleshooting	129
Resetting the system	129
Problems following initial system installation	129
First steps checklist	130
Hardware diagnostic testing	131



Verifying proper operation of key system lights	131
Specific problems and corrective actions	132
Appendix A: Acer Altos R910 rack installation guide	141
Setting up the system rack	143
System rack installation	145
Vertical mounting hole pattern	146
Installing the system into the rack	147
Appendix B: Memory configuration options	155
Introduction	157
Installation and population order	158
Memory board installation order	158
DIMM module installation order	158
DIMM module population order	159
Memory modes	163
Maximum compatibility	164
Maximum performance	166
Memory sparing	168
Memory RAID	170
Memory mirroring	172
Appendix C: Integrated SCSI hardware RAID configuration	175
Configuring the integrated SCSI hardware RAID	177
Index	179



# 1 System tour

The Acer Altos R910 is a rack optimized 64-bit Intel Xeon MP processor-based server system. The system features redundant memory, networking, hot-plug PCI slots, standard-based server management, and server-oriented embedded I/O. Remote monitoring and management functions are also included, providing a new level of user tools for server administration.

This chapter provides a brief overview of the system hardware, including illustrations and component identification.

# Features summary

Listed below are the system's key features:

## Processor

- Supports one to four physical processors
  - Dual-core Intel® Xeon™ processors 7000 sequence
  - 64-bit Intel Xeon processors MP with 1 MB L2 cache
  - 667 or 800 MHz front side bus
- Hyper-Threading Technology
- Extended Memory 64-bit Technology
- Demand-Based Switching for power savings
- Execute -Disable Bit for hardware support of security features

## Chipset

- Intel E8501 chipset (north bridge)
  - Support dual front side bus
  - Support for hot-plug memory
- Intel IOP332 storage I/O processor
  - Includes Intel XScale Technology works in conjunction with the LSI Logic 53C1030 Ultra320 SCSI controller to support optional integrated SCSI hardware RAID
- Intel 81801EB I/O Controller Hub 5 (south bridge)

## Memory subsystem

- Supports up to 64GB of DDR2-400 MHz (PC2-3200) registered ECC memory modules
- Supports one to four hot-plug memory boards
  - Each memory board supports:
    - Four DIMM slots
    - DDR2 channels with two DIMMs per channel
    - Connection through x16 PCI-Express slots

- Memory reliability, availability, and serviceability (RAS) features
  - Memory mirroring
  - Memory RAID
  - Memory sparing
  - Memory hot-plug
- x8 SDDC (Single Device Data Correction) for memory error detection and correction

#### Media storage

- One 5.25-inch device bay supports:
  - AIT2 tape drive
  - LTO-2 half-height tape drive
- Up to five hot-plug Ultra320 SCSI hard disk drives

#### SCSI controller

- LSI Logic 53C1030 LVD SCSI controller
- Dual independent Ultra320 SCSI interfaces (internal)

#### Integrated hardware RAID (optional)

- Supports RAID levels 0, 1, 5, and 10
- Requires RAID activation key (iButton)
- Requires DDR2-400 registered ECC DIMM for RAID cache
- Supports RAID BBU (Battery Backup Unit). Available as an upgrade option.



.....

**Note:** After installing the iButton and RAID cache DIMM, the system BIOS setup allows you to enable the hardware RAID solution. For detailed installation instructions, see “Configuring integrated SCSI hardware RAID components” on page 79.

You can also install a RAID BBU to improve fault tolerance by enhance by protecting data in the RAID cache in the event of power failure. For more information on how to install a RAID BBU, see “Installing the RAID BBU” on page 85.

### Serial ATA port

- One SATA port (reserved for slim-type DVD drive)

### Networking

- Broadcom BCM5704C Gigabit Ethernet Controller with dual ports

### PCI I/O

- One hot-plug x8 PCI Express slot
- Three hot-plug x8 PCI Express slots (with x4 throughput)
- One hot-plug 133 MHz, 64-bit PCI-X slot
- Two non hot-plug 100 MHz, 64-bit PCI-X slots



.....  
**Note:** The PCI hot-plug function allows the removal of a standard PCI adapter from the system without stopping the software or powering down the unit.

### Graphic interface

- ATI Radeon® 7000 video controller with 16MB SDRAM

### Baseboard Management Controller

- Integrated Acer BMC module
- IPMI (Intelligent Platform Management Interface) 2.0 compliant
- Supports ARMC/3 (Acer Remote Management Card/3) (optional)

### I/O ports

- Front
  - VGA/monitor port
  - Three USB 2.0 ports
- Rear
  - Serial port
  - External SCSI connector (optional)
  - VGA/monitor port
  - Two USB 2.0 ports

- Two Gigabit LAN ports (RJ-45)
- Server management port (RJ-45) <sup>1</sup>

#### Operating system and software

- Operating system options:
  - Microsoft® Windows® Server 2003, x64 Edition
  - Microsoft Windows Server 2003
  - Red Hat Enterprise Linux 4.0
  - Red Hat Enterprise Linux 4.0, EM64T
  - SUSE® Linux Enterprise Server 9.0
  - SUSE Linux Enterprise Server 9.0, EM64T
- ASM (Acer Server Manager) <sup>2</sup>
- Easy Build (includes SCSI RAID Configuration Utility) <sup>2</sup>

#### Power supply

- Two 220-volts, 1470-watt hot-swap (1+1) redundant power supply modules

#### System fan

- Two hot-swap redundant system fan modules
- Two redundant (1+1) fans in each system fan module

<sup>1</sup> Reserved for remote management of server. This requires installation of an ARMC/3.

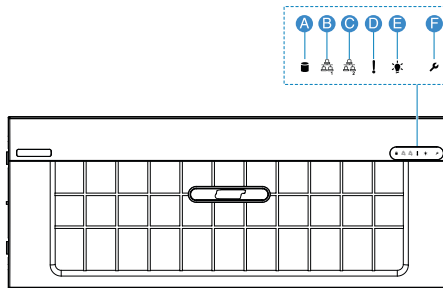
<sup>2</sup> For more information on how to install and use ASM and Easy Build utilities, refer to the manual on the EasyBUILD DVD.









# External and internal structure

## Front bezel

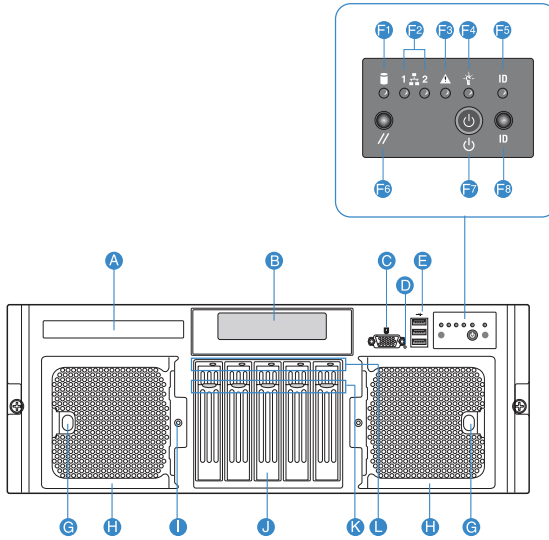
The front bezel provides an interface for system management via status LED indicators. The status LEDs on the bezel mirrors the LEDs on the front panel, indicating HDD activity, LAN1 and LAN2, system status/fault, power, and ID status. The bezel is detachable to allow access to the external drive bays, serial and USB connectors, LED indicators, and the power, reset, and system ID buttons. A summary of the indicators and components behind the bezel is given in the succeeding section.









Item	Icon	Component	Item	Icon	Component
A		HDD (hard disk drive) activity indicator	D		Status/fault indicator
B		LAN 1 status indicator	E		Power indicator
C		LAN2 status indicator	F		System ID indicator

For details on how to remove the front bezel, see “Removing the front bezel” on page 35.

# Front panel



Item	Icon	Component	Item	Icon	Component
A		DVD drive bay	F6	//	Reset button
B		5.25-inch drive bays	F7	⏻	Power button
C		VGA/monitor port	F8	ID	System ID button
D		NMI button	G		Hot-swap system fan assembly eject button
E		USB 2.0 ports	H		Hot-swap system fan modules
F1		HDD (hard disk drive) activity indicator	I		Hot-swap system fan assembly indicator *

Item	Icon	Component	Item	Icon	Component
F2		LAN1 and LAN2 status indicator	J		Hot-plug HDDs
F3		Status/fault indicator	K		Hot-plug HDD activity indicator
F4		Power indicator	L		Hot-plug HDD carrier latch
F5	<b>ID</b>	System ID indicator			

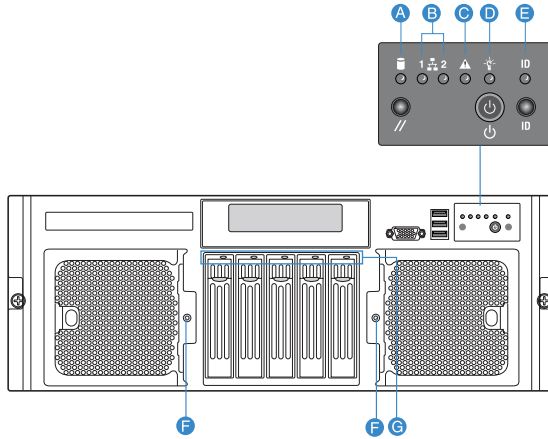
\* The hot-swap system fan assembly indicator lights up amber when a fan module fails.

## Front panel control button functions

Below table lists the functions of the front panel control buttons.

Item	Function
NMI button	Puts the server in a halt-state for diagnostic purposes.
Reset button	Press to reset the system.
Power button	Press to turn the system power on and off.
System ID button	Press to turn the system ID LED on and off.
Hot-plug HDD carrier latch	Press to release the hot-plug HDD carrier lever.
Hot-swap system fan eject button	Press to release the hot-swap system fan lever.

## Front panel LED indicators



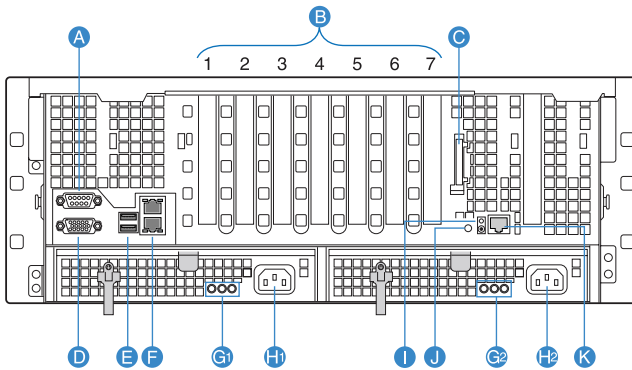
Below table lists the LED states on the front panel.

Item	LED indicator	Color	Status	Description
A	HDD activity indicator	Green, on		HDD is being initialized.
		Green, blinking		HDD is active.
		Amber, on		HDD or HDD slot failure.
		Amber, slow blinking (~1 Hz)		A predictive HDD or HDD slot failure or rebuild is in process.
		Amber, fast blinking (~2.5 Hz)		HDD rebuild is interrupted or rebuild on empty slot.
B	LAN1, LAN2 status indicator	Green, on	Inactive	No network access
		Green, off	Idle	
		Green, blinking	Active	Network access

<b>Item</b>	<b>LED indicator</b>	<b>Color</b>	<b>Status</b>	<b>Description</b>
C	Status/ fault indicator	Green, on	Ready	System booted and ready.
		Green, blinking	Degraded	CPU or DIMM disabled
		Amber, on	Critical condition	Critical power supply, blower, voltage, or temperature failure.
		Amber, blinking	Non- critical condition	<ul style="list-style-type: none"> <li>Redundant power supply or blower failure.</li> <li>Non-critical blower, voltage, and temperature failure.</li> </ul>
D	Power indicator	Green, off	Power off	System is not powered on.
		Green, on	Power on	System has power applied to it.
		Green, off	S4/S5	System in ACPI S4 or S5 state (power off).
		Green, blinking	S1	System in ACPI S1 state (sleep mode).
		Green, on	S0	System in ACPI S0 state (legacy power on).
E	System ID indicator	Blue, on		System identification is active.
		Blue, off		System identification is disabled.
F	Hot-swap system fan module status indicator	Amber, on	Non- critical condition	Fan failure
		Amber, off		Fan normal operation.

<b>Item</b>	<b>LED indicator</b>	<b>Color</b>	<b>Status</b>	<b>Description</b>
G	Hot-plug HDD activity indicator	Amber, flashing		HDD is active.
		Amber + Green, alternate flashing		<ul style="list-style-type: none"> <li>• HDD is powered on and rebuilding RAID.</li> <li>• HDD is powered on and has a fault condition.</li> </ul>
		Amber, flashing		HDD is not powered on and has a fault condition.
		Unlit		<ul style="list-style-type: none"> <li>• No HDD is installed.</li> <li>• HDD is initiated but has no current activity.</li> </ul>

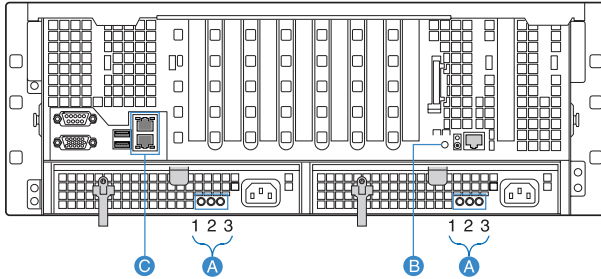
## Rear panel



Item	Component	Item	Component
A	Serial port	G1, G2	Hot-swap power supply module status indicators
B1 - B7	B1 Hot-plug PCI Express x8 slot B2 Hot-plug PCI-X 133MHz slot B3 Hot-plug PCI Express x8 slot (with x4 throughput) B4 Hot-plug PCI Express x8 slot (with x4 throughput) B5 Hot-plug PCI Express x8 slot (with x4 throughput) B6 PCI-X 100MHz slot B7 PCI-X 100MHz slot	H1, H2	Hot-swap power supply module DC input power connectors
C	External SCSI connector (optional)	I	System ID button
D	VGA/monitor port	J	System ID indicator
E	USB 2.0 ports	K	Server management port (RJ-45) *
F	Gigabit LAN ports (10/100/1000 Mbps)		

\* Reserved for remote management of server. This requires installation of an ARM C/3 (Acer remote management card/3).

## Rear panel LED indicators



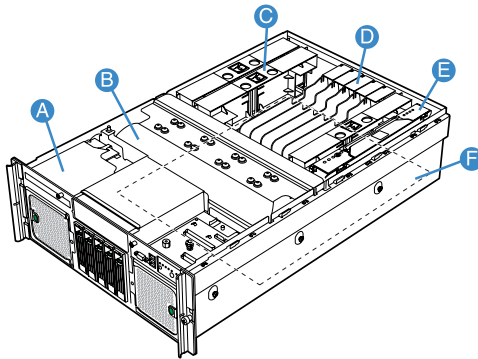
Below table lists the LED states on the rear panel.

Item	LED indicator	Function	Color	Description
A1	Hot-swap power supply module status indicator	Power good indicator	Green, on	System has power applied to it.
A2	Fault indicator	Fault indicator	Amber, on	<ul style="list-style-type: none"> <li>Power rail failure.</li> <li>Power supply is in a latched state.</li> </ul>
			Amber, off	<ul style="list-style-type: none"> <li>Power supply module failure, +3.3 VSB is lost.</li> <li>System is not powered on.</li> </ul>
A3	DC OK indicator	DC OK indicator	Green, on	DC power cord is plugged into an active DC power source.
B	System ID indicator		Blue, on	System identification is active.
			Blue, off	System identification is disabled.



<b>Item</b>	<b>LED indicator</b>	<b>Function</b>	<b>Color</b>	<b>Description</b>
C	LAN port indicators	Status	Green, on	Network link is detected.
			Green, off	No network connection.
			Green, blinking	Network connection in place.
		Speed	Green/ Amber, off	10 Mbps connection
			Green, on	100 Mbps connection
			Amber, on	1000 Mbps connection

## Internal components

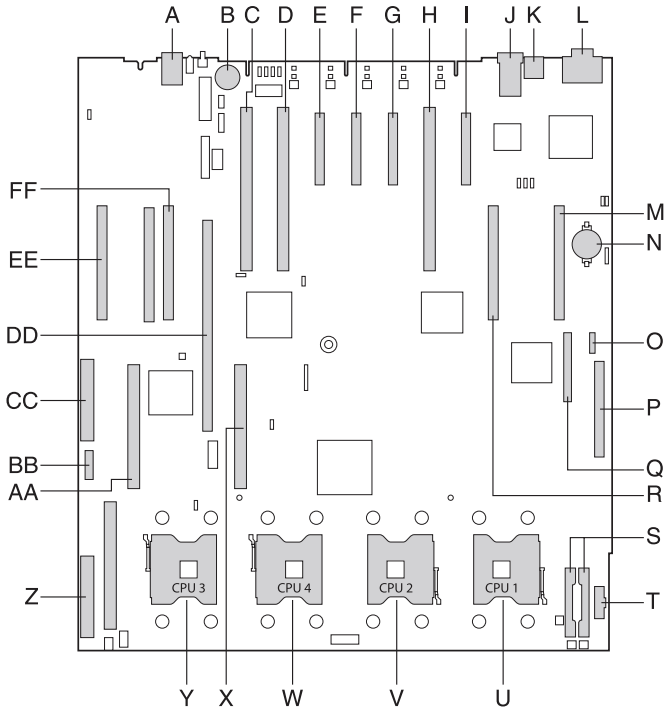


Item	Component	Item	Component
A	DVD drive bay	D	Plastic PCI slot divider and PCI bus slots
B	CPU air baffle	E	Memory board
C	Memory board air baffle	F	Mainboard

# System boards

## Mainboard

The mainboard becomes accessible once you open the system. It should look like the figure shown below.

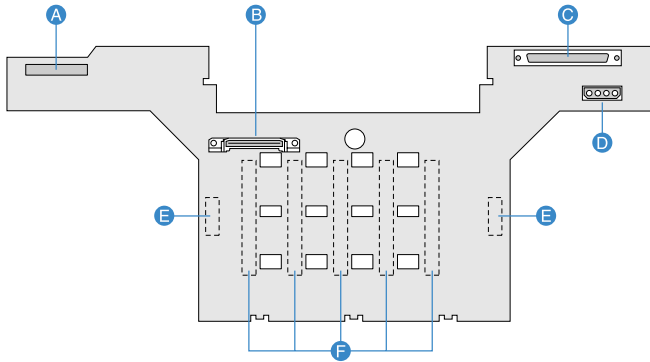


Item	Description	Item	Description
A	Server management port (RJ-45) *	Q	BMC or ARMC/3 module connector (optional)
B	Integrated SCSI hardware RAID activation key (iButton) connector	R	Memory board slot B
C	PCI-X 100MHz (Slot 7)	S	DC power connectors

<b>Item</b>	<b>Description</b>	<b>Item</b>	<b>Description</b>
D	PCI-X 100MHz (Slot 6)	T	Power distribution board (PDB) signal connector
E	Hot-plug PCI Express x8 (with x4 throughput) – (Slot 5)	U	CPU socket 1
F	Hot-plug PCI Express x8 (with x4 throughput) – (Slot 4)	V	CPU socket 2
G	Hot-plug PCI Express x8 (with x4 throughput) – (Slot 3)	W	CPU socket 4
H	Hot-plug PCI-X 133MHz – (Slot 2)	X	VRM 10.2 connector (CPU 4)
I	Hot-plug PCI Express x8 – (Slot 1)	Y	CPU socket 3
J	Gigabit LAN 1 (top), LAN 2 (bottom)	Z	SCSI connector channel A (connects to the SCSI backplane board)
K	Dual USB 2.0 ports	AA	VRM 10.2 connector (CPU 3)
L	Serial (top), VGA port (bottom)	BB	Integrated SCSI hardware RAID BBU connector
M	Memory board slot A	CC	SCSI connector channel B (for internal or external SCSI connector)
N	RTC battery	DD	Integrated SCSI hardware RAID cache memory (DDR-2) slot
O	SATA connector	EE	Memory board slot D
P	Front panel board connector	FF	Memory board slot C

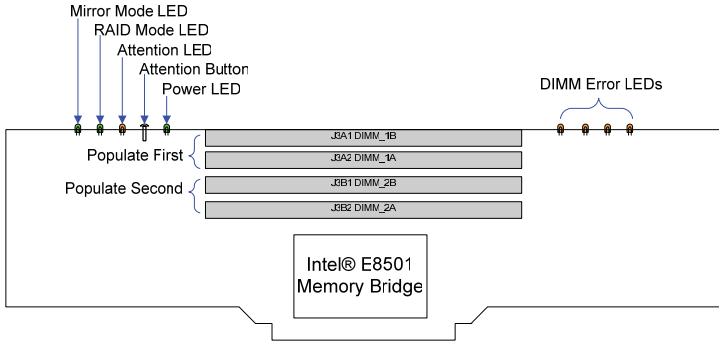
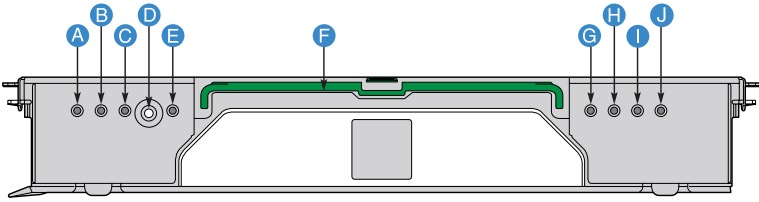
\* Reserved for remote management of server. This requires installation of an ARMC/3 (Acer remote management card/3)

## SCSI backplane board



Item	Description	Item	Description
A	Front panel board connector	D	Power cable connector to DVD and 5.25" drives
B	Power distribution board connector	E	Hot-swap system fan module connectors (two on reverse side)
C	SCSI cable connector	F	Hot-plug HDD connectors (two on reverse side)

# Hot-plug memory board



Item	Description	Item	Description
A	Mirror mode indicator	F	Memory board handle
B	RAID mode indicator	G	DIMM 1B error indicator
C	Hot-plug attention indicator	H	DIMM 1A error indicator
D	Attention button *	I	DIMM 2B error indicator
E	Power indicator	J	DIMM 2A error indicator

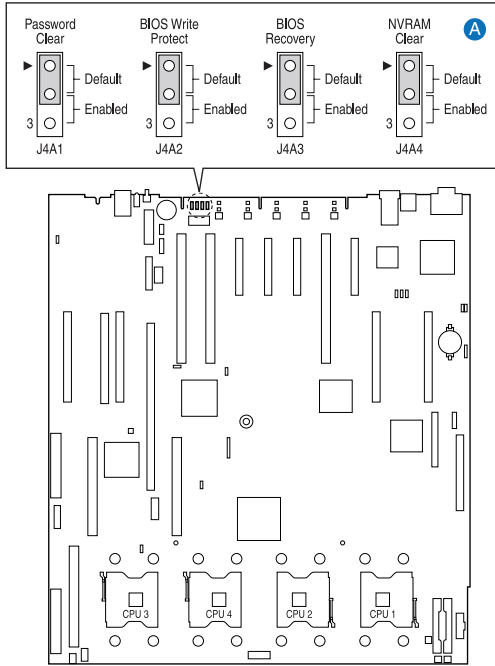
\* Press this button to perform a hot-insertion or hot-removal of a memory board.

## Memory board LED indicators

The hot-plug memory board has LEDs indicating the configuration and status of the DIMMs installed on it.

Feature	Color	Description
Mirror mode indicator	Green, on	System is in memory mirror configuration. The memory board mirrors another memory board in the system.
	Green, off	System is not configured for memory mirroring it.
RAID mode indicator	Green, on	System uses RAID memory configuration.
	Green, off	System is not in a RAID configuration.
Hot-plug attention indicator	Amber, on	Memory hot-plug transition event.
	Amber, off	Normal operation
Power indicator	Green, on	Power is detected. The memory board is powered on.
	Green, off	Power is not detected on all boards.
	Green, flashing	Memory board is in hot-plug event.
DIMM 1A, 1B, 2A, and 2B error indicator	Amber, on	DIMM installed in DIMM slots 1A (J3A2), 1B (J3A1), 2A (J3B2), and 2B (J3B1) is malfunctioning and needs to be replaced.
	Amber, off	DIMM is functioning properly.

# System jumpers



Jumper name	Settings	Function
JA41 Password clear	1-2 (default) 2-3	Password enabled Password disabled/cleared
JA42 BIOS write protect	1-2 (default) 2-3	BIOS unprotected BIOS write protected
JA43 BIOS recovery	1-2 (default) 2-3	Normal boot BIOS recovery
JA44 BIOS clear CMOS/ NVRAM	1-2 (default) 2-3	BIOS clear CMOS Forced CMOS clear



## 2 System setup

This chapter gives you instructions on how to set up the system. Procedures on how to connect peripherals are also explained.

# Setting up the system

## Pre-installation requirements

### Selecting a site

Before unpacking and installing the system, select a suitable site for the system for maximum efficiency. Consider the following factors when choosing a site for the system:

- Near a grounded power outlet
- Clean and dust-free
- Stable surface free from vibration
- Well-ventilated and away from sources of heat
- Secluded from electromagnetic fields produced by electrical devices such as air conditioners, radio and TV transmitters, etc.

### Checking the package contents

Check the following items from the package:

- Acer Altos R910 system
- Acer EasyBUILD™
- Acer Altos R910 accessory box

If any of the above items are damaged or missing, contact your dealer immediately.

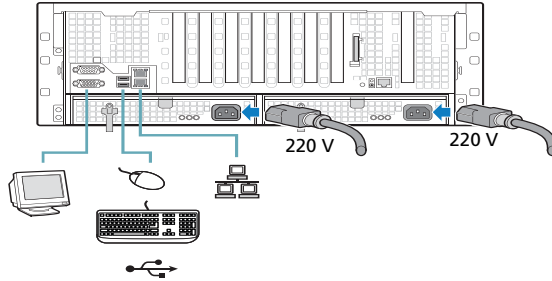
Save the boxes and packing materials for future use.

# Connecting peripherals



**Caution!** The server operates on 220 VDC only. Do not connect the system to an incorrect voltage source.

Refer to the illustration below for specific connection instructions on the peripherals you want to connect to the system.

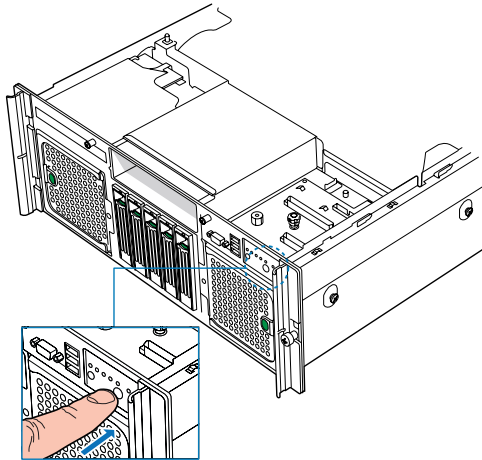


**Note:** Consult the operating system manual for information on how to configure the network setup.

## Turning on the system

After making sure that you have properly set up the system and connected all the required cables, you can now power on the system.

To power on the system, press the power button on the front control panel.



The system starts up and displays a welcome message on the monitor. After that, a series of power-on self-test (POST) messages appears. At the BIOS splash screen, the System Options menu can be accessed by pressing a key on the keyboard. For more information on how to use the System Options menu, see “System options menu” on page 90.



**Note:** If the system does not turn on or boot after pressing the power button, go to the next section for the possible causes of the boot failure.

The POST messages indicate if the system is running well or not. If the POST finds any problems, the system will emit a beep code followed by an error message displayed on the monitor. Aside from the POST messages, you can determine if the system is in good condition by checking if the following occurred:

- Power indicator on the front panel lights up (green)
- Num Lock, Caps Lock, and Scroll Lock indicators on the keyboard light up

## Power-on problems

If the system does not boot after you have applied power, check the following factors that might have caused the boot failure.

- The external power cable may be loosely connected.

Check the power cable connection from the power source to the power cable socket on the rear panel. Make sure that the cable is properly connected to the power source and to the power cable socket.

- No power comes from the grounded power outlet.

Have an electrician check your power outlet.

- Loose or improperly connected internal power cables.

Check the internal cable connections. If you are not confident to perform this step, ask a qualified technician to assist you.



.....  
**Warning! Make sure all power cords are disconnected from the electrical outlet before performing this task.**

- The ARMC/3 or BMC module is not installed in the server, or not properly seated.

Check the ARMC/3 or BMC module connection. Make sure the ARMC/3 or BMC module is properly connected to the mainboard. For more information on how to install the ARMC/3 or BMC module, see "Installing the ARMC/3 or BMC module" on page 77.



.....  
**Note:** If you have gone through the preceding actions and the system still fails to boot, ask your dealer or a qualified technician for assistance.

# Configuring the system OS

The Altos R910 comes with Acer EasyBUILD™ that allows you to conveniently install your choice of operating system. To start using EasyBUILD, follow the steps below.

- 1 Locate the EasyBUILD DVD included in the system package.
- 2 With the system turned on, gently press the CD-ROM drive Stop/Eject button.
- 3 When the disc tray slides open, insert the EasyBUILD DVD with the label or title side of the disc facing upward.



-----

**Note:** When handling the disc, hold it by the edges to avoid smudges or fingerprints.

- 4 Gently press the disc down to make sure that it is properly inserted.



-----

**Caution!** While pressing the disc, be careful not to bend the disc tray. Make sure that the disc is properly inserted before closing the disc tray. Improper insertion may damage both the disc and the CD-ROM drive.

- 5 Gently press the drive Stop/Eject button again to close the disc tray.
- 6 The Acer EasyBUILD sequence begins. Follow all onscreen instructions.

For more information, refer to the EasyBUILD Installation guide.



-----

**Note:** EasyBUILD DVD supports Windows Server 2003 and Red Hat Linux operating system only.

Windows or Linux OS CD is needed when you install the OS with the EasyBUILD DVD.

# Turning off the system

There are two ways by which you can turn off the server. These include:

- If you are using a Windows OS on your server, you can turn off the server by clicking the **Start** button on the Windows taskbar, point to **Shut Down...**, select **Shut down** from the drop-down window then click on **OK**. You can then turn off all peripherals connected to your server.

If you are using another OS, refer to the OS documentation for instructions on how to shut down the OS.

- If you cannot shut down the server, press the power button for at least four seconds. Quickly pressing the button may put the server in a Suspend mode only.



# 3 System upgrade

This chapter discusses the precautionary measures and installation procedures you need to know to upgrade the system.

# Installation precautions

Before you install any server component, we recommend that you read the following sections. These sections contain important ESD precautions along with pre-installation and post-installation instructions.

## ESD precautions

Electrostatic discharge (ESD) can damage the processor, disk drives, expansion boards, motherboard, memory modules and other server components. Always observe the following precautions before you install a server component:

- 1 Do not remove a component from its protective packaging until you are ready to install it.
- 2 Wear a wrist grounding strap and attach it to a metal part of the server before handling components. If a wrist strap is not available, maintain contact with the server throughout any procedure requiring ESD protection.

## Pre-installation instructions

Perform the steps below before you open the server or before you remove or replace any component:

- 1 Turn off the system and all the peripherals connected to it.
- 2 Unplug all cables from the power outlets.
- 3 Place the system unit on a flat, stable surface.
- 4 Open the system according to the instructions on page 35.
- 5 Follow the ESD precautions described in this section when handling a server component.
- 6 Remove any hardware structure or cable that block access to the component you must replace or upgrade.

See the following sections for specific installation instructions on the component you want to install.



.....

**Warning! Failure to properly turn off the server before you start installing components may cause serious damage. Do not attempt the procedures described in the following sections unless you are a qualified service technician.**

## Post-installation instructions

Perform the steps below after installing a server component:

- 1 See to it that all components are installed according to the described step-by-step instructions.
- 2 Reinstall all hardware structure or cable that have been previously removed.
- 3 Reinstall the top cover.
- 4 Reinstall the front bezel.
- 5 Connect the necessary cables.
- 6 Turn on the system.

# Opening the server

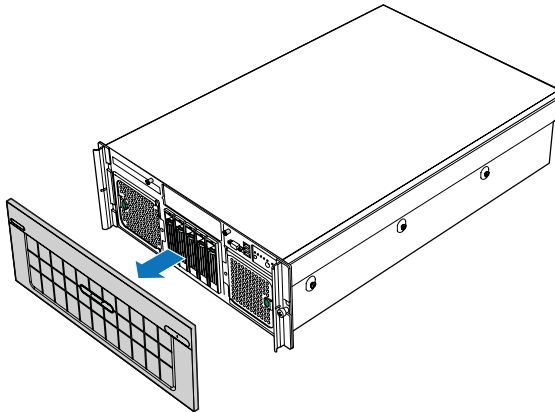


**Caution!** Before you proceed, make sure that you have turned off the system and all peripherals connected to it. Read the "Pre-installation instructions" on page 33.

You need to open the server before you can install additional components. The front bezel and top cover are removable to allow access to the system's internal components. Refer to the following sections for instructions.

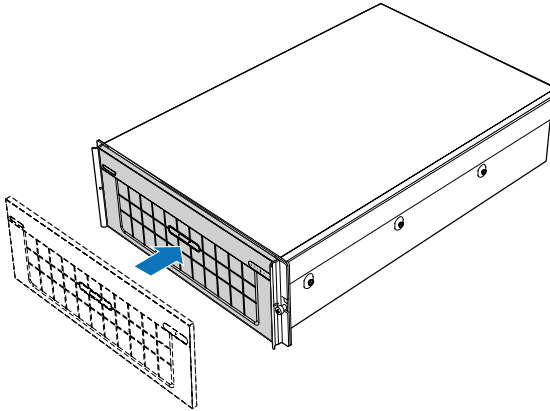
## Removing the front bezel

Grasp the front bezel at outer edge and pull straight out.



## Installing the front bezel

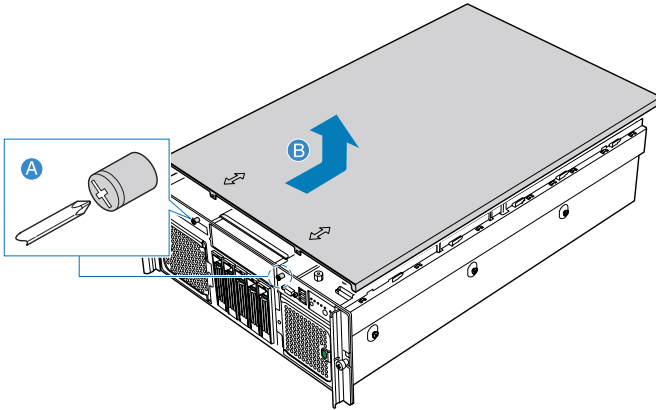
Slide the front bezel onto the chassis.



## Removing the top cover

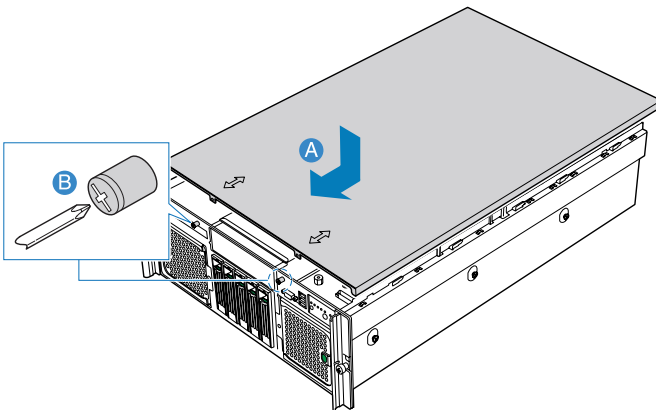
- 1 Observe the ESD precautions and pre-installation instructions described on page 33.
- 2 Loosen the two captive screws located on the faceplate of the chassis **(A)**. See illustration on page 37.
- 3 Slide the top cover toward the back of the chassis until the tabs on the cover disengage with the slots on the chassis.

- 4 Lift the top cover away from the server and put it aside for reinstallation later **(B)**.



## Installing the top cover

- 1 Observe the ESD precautions and pre-installation instructions described on page 33.
- 2 Place the top cover on the chassis so that the tabs on the cover align with the slots on the chassis **(A)**.
- 3 Slide the top cover toward the front of the chassis until it is fully closed.
- 4 Tighten the captive screws on the faceplate of the chassis **(B)**.



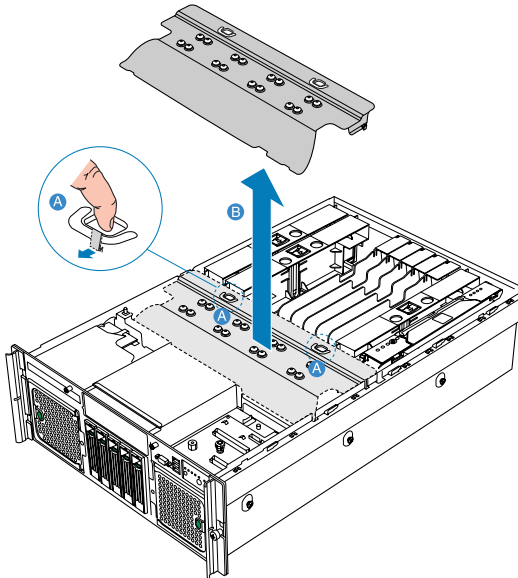
## Removing the CPU air baffle

You will need to remove the CPU air baffle to perform the following procedures:

- Removing and installing a heat sink
- Removing and installing a CPU
- Removing and installing a DVD drive

To remove the CPU air baffle

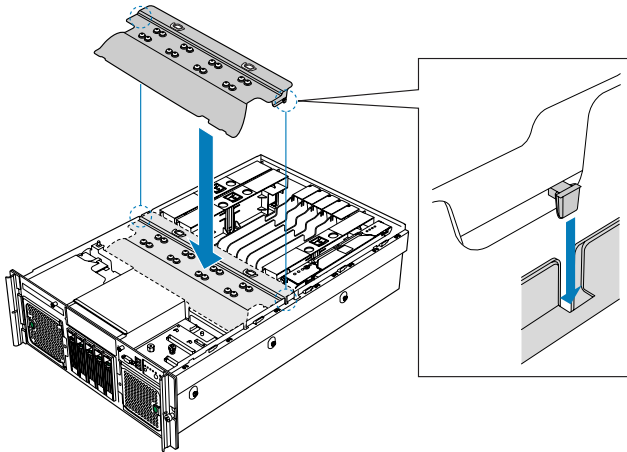
- 1 Observe the ESD precautions and pre-installation instructions described on page 33.
- 2 Insert your fingers into the holes on the top of the baffle **(A)**.
- 3 Pull the baffle up and back to disengage the baffle from the two sheet-metal tabs on the front of the baffle.
- 4 Lift the baffle from the chassis **(B)**.





## Installing the CPU air baffle

- 1 Observe the ESD precautions and pre-installation instructions described on page 33.
- 2 Insert the front of the CPU air baffle under the two metal tabs at the front of the baffle, just below the SCSI backplane board. One tab is located on each side of the chassis.
- 3 Lower the rear of the baffle into place, making sure the guides on each side of the air baffle will correctly engage in the left and right chassis slots.



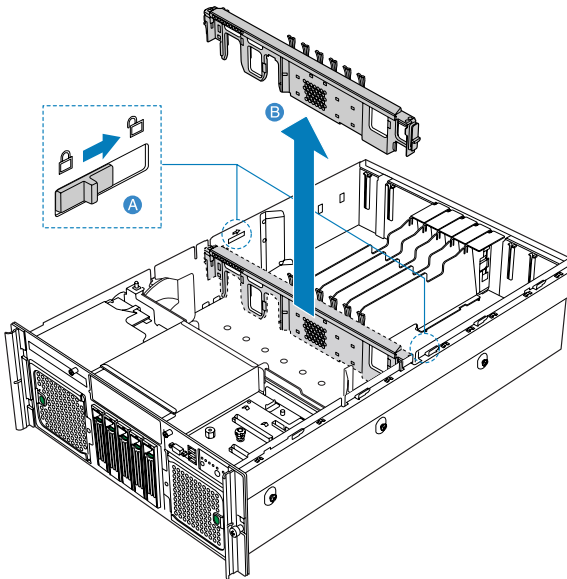
- 4 Push down the air baffle to the two locations where the word **Memory** is printed on the air baffle.
- 5 Observe the post-installation instructions described on page 34.

## Removing the center brace

You will need to remove the center brace to remove and install an optional processor core VRM.

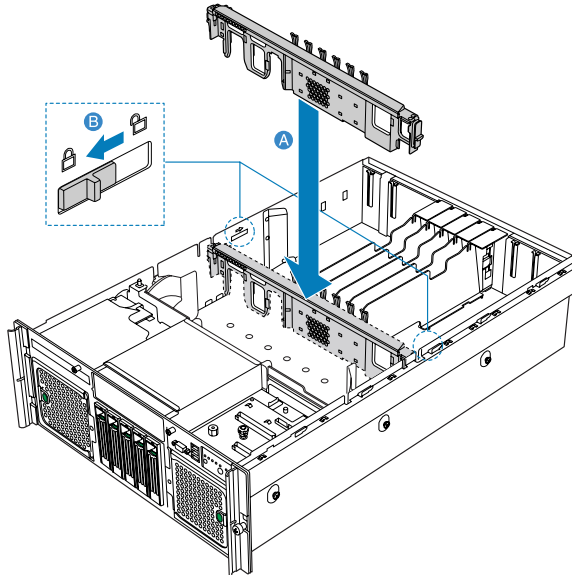
To remove the center brace

- 1 Observe the ESD precautions and pre-installation instructions described on page 33.
- 2 Slide the chassis at each side of the chassis to the unlock position **(A)**.
- 3 Lift the center brace from the chassis **(B)**.



## Installing the center brace

- 1 Observe the ESD precautions and pre-installation instructions described on page 33.
- 2 Slide the center brace into position in the chassis **(A)**.
- 3 Slide the latches at each side of the chassis to the locked position **(B)**.



- 4 Observe the post-installation instructions described on page 34.

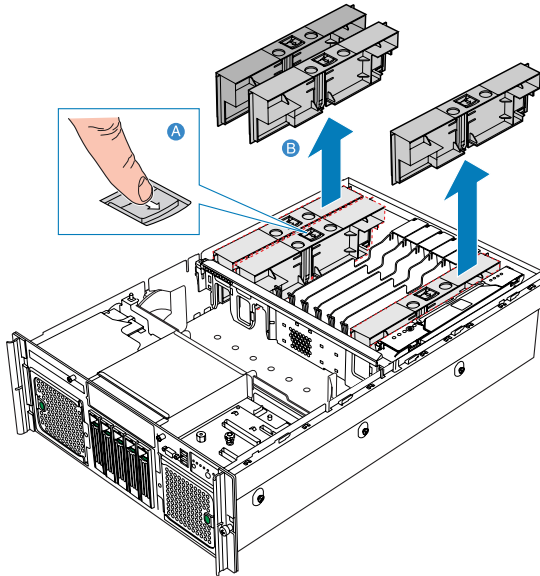
## Removing a memory board air baffle

You will need to remove the memory board air baffle to perform the following procedures:

- Removing and installing a memory board
- Removing and installing a PCI card

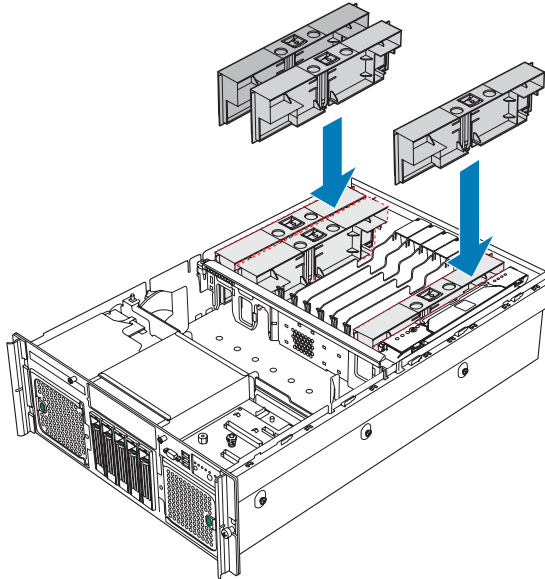
To remove the memory board air baffle

- 1 Observe the ESD precautions and pre-installation instructions described on page 33.
- 2 Insert your fingers into the two holes on the top of the memory board air baffle, then push the tab **(A)**.
- 3 Lift the memory board air baffle from the server **(B)**.



## Installing a memory board air baffle

- 1 Observe the ESD precautions and pre-installation instructions described on page 33.
- 2 Insert the memory board air baffle into the memory board slot with arrow on the tab pointing to the right. The memory air baffle will lock into the memory board slot.



- 3 Observe the post-installation instructions described on page 34.

## Configuring hot-pluggable components

Hot-pluggable components are the components that can be removed and replaced while the system is powered on. For this server model, it refers to the following:

- Hard disk drives
- System fan assembly
- Power supply
- Memory board
- PCI cards with OS hot-plug interface

## Hard disk drives

The server's hard disk drive bay supports five hot-plug SCSI drives. Use only Acer-qualified HDDs. To purchase an HDD, contact your local Acer representative.



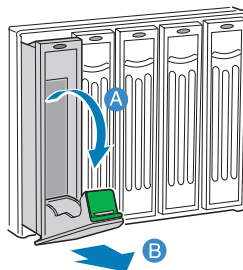
**Caution!** To ensure proper airflow and server cooling, all drive bays must contain either a carrier with a hard drive installed in it or a hard disk carrier cover.

### Determining drive status

Each HDD carrier features a dual-color LED indicator to display the hard drive status. If you are replacing a failed HDD, determine which drive has failed by checking the drive status LED. For more information on how to determine the drive status, refer to "Front panel LED indicators" on page 10.

### Removing a HDD

- 1 Observe the ESD precautions described on page 33.
- 2 If you are removing a failed HDD, determine which drive has failed by checking the drive status LED.
- 3 Press the green HDD carrier latch **(A)**.
- 4 Pull the lever to remove the HDD carrier from the chassis **(B)**.



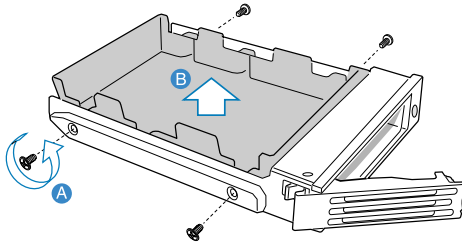
- 5 Place the HDD carrier on a clean, static-free work surface.
- 6 If you are replacing a hard disk, remove the four screws that secure the hard disk to the HDD carrier, then remove the disk from the HDD carrier.  
Keep the screws for later HDD installation.

## Installing a HDD

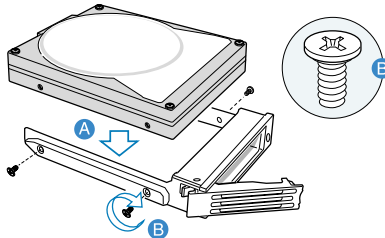


**Note:** To purchase a HDD carrier, contact your local Acer representative.

- 1 Perform steps 1 to 4 of the "Removing a HDD" on page 45.
- 2 Remove the four screws that secure the air baffle to the HDD carrier **(A)**.
- 3 Remove the air baffle from the HDD carrier **(B)**.



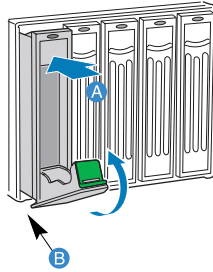
- 4 Save the air baffle and screws for later use.
- 5 Install a hard disk on the HDD carrier, then secure it with the four screws **(A)** that came with the HDD carrier **(B)**.



- 6 With the lever still extended, slide the HDD carrier all the way into the drive bay.



- 7 Use the lever to push the HDD carrier until it docks into place **(A)**, then close the HDD carrier lever **(B)**.



## System fan assembly

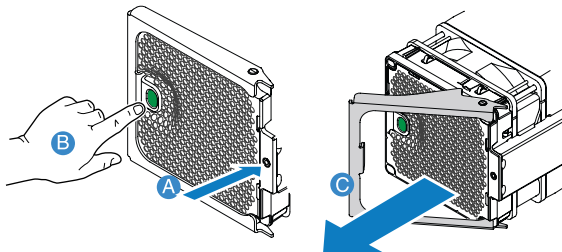
The system has two cooling fan assemblies — two fan modules each — located on the front panel. Each assembly has an amber LED to indicate a failed fan condition. If the amber LED is on, the fan assembly needs to be replaced. The LED remains off during normal operation.

### Removing the system fan assembly



**Caution:** System fan assembly hot-swap operations should be performed only if a failure occurs in the system fan assembly.

- 1 Observe the ESD precautions described on page 33.
- 2 Locate the fan assembly you are replacing. If a fan in the assembly has failed the amber LED will be lit **(A)**.
- 3 Press the green button on the front of the fan assembly to release the handle **(B)**.
- 4 Use the handle to pull the fan from the system **(C)**.

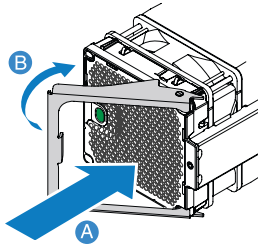


## Installing the system fan assembly



.....  
**Warning! To ensure proper system cooling, the replacement of a failed system fan module should be completed within one minute.**

- 1 If a system fan assembly is installed in the fan bay, perform steps 1 to 3 of the "Removing the system fan assembly" section.
- 2 Slide the new fan into the fan bay **(A)**.
- 3 Push the handle closed until it clicks into place **(B)**.



## Power supply

The server has two hot-swap power supply module bays on the rear panel that accept hot-swap redundant power supply modules. The system ships out with two power supply modules installed. A redundant power configuration enables a fully-configured system to continue running even if one power supply module fails.



**WARNING!** To reduce the risk of personal injury or damage to the equipment, the installation of power supply modules should be referred to individuals who are qualified to service server systems and are trained to deal with equipment capable of generating hazardous energy levels.

---



**WARNING!** To reduce the risk of personal injury from hot surfaces, observe the thermal labels on each power supply module. You can also consider wearing protective gloves.

---



**WARNING!** To reduce the risk of personal injury from electric shock hazards, do not open the power supply modules. There are no serviceable parts inside the module.

---



**Caution!** Electrostatic discharge can damage electronic components. Make sure that you are properly grounded before handling a power supply module.

---



**Caution!** Due to chassis airflow disruption, a power supply bay should never be vacant for more than two minutes when the server is powered on. Exceeding five minutes might cause the system to exceed the maximum acceptable temperature and possibly damage the system components.

---



**Caution!** The system does not support running with only one power supply. To prevent chassis airflow disruption, a power supply bay should never be vacant for more than two minutes. Exceeding the time may cause the system to exceed the maximum acceptable temperature and possibly damage system components.

---



**Caution!** The system operating voltage range is 200 to 240 VDC. Do not plug the power cord into an incorrect voltage source.

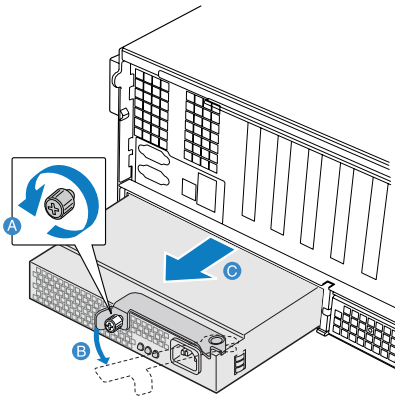
---

## Removing a power supply



**Caution:** Power supply hot-swap operations should be performed only if a failure occurs in the power supply.

- 1 Observe the ESD precautions described on page 33.
- 2 Remove the DC power cord from the power supply.
- 3 Loosen the thumbscrew on the latch to unlock the power supply handle **(A)**.
- 4 Open the handle on the power supply **(B)**.
- 5 Pull the power supply from the chassis and set it on a clean, static-free surface **(C)**.



- 6 Install a filler panel.

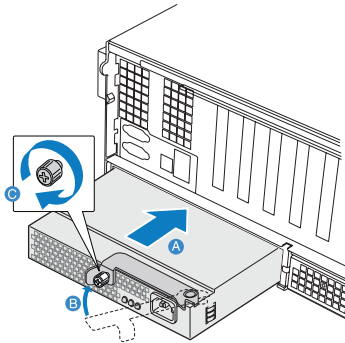
## Installing a power supply



**Caution!** To ensure proper system cooling, the replacement of failed power supply should be completed within two minutes.

- 1 Observe the ESD precautions described on page 33.
- 2 Remove the filler panel from the empty power supply bay, if installed.
- 3 With the handle in the open position, push the power supply in the bay fully **(A)**.

- 4 Rotate the handle to the closed position **(B)**.
- 5 Tighten the thumbscrew to secure the power supply **(C)**.



- 6 Plug the power cord into the DC receptacle on the power supply.
- 7 Verify that the LEDs on the power supply are functioning. Refer to the “Rear panel LED indicators” on page 14 for more information.

## Memory board

The memory boards in the server connect to the mainboard through the x16 PCI Express slots or memory board slots A, B, C, and D. Refer to “Mainboard” on page 17 for the location of the memory board slot. Up to four memory boards can be installed in the server. Each memory board has four DIMM slots that support two DDR2 channels, with two DIMMs per channel. The memory boards support both single-rank and double-rank, registered ECC DIMMs.

The memory boards can be configured in a redundant or non-redundant configuration. Memory boards configured using RAID or mirroring are in redundant configuration. If a memory board that is configured in a redundant configuration has a DIMM or memory board fault, the memory board and/or DIMM containing the fault can be removed and replaced while the system is powered on. Memory boards that are configured in a non-redundant configuration (including memory boards configured with spare memory) must not be removed while the system is powered on.



**Caution!** Do not attempt to hot-remove or hot-add a memory board in a non-redundant configuration. If your server is not configured in the BIOS setup utility for maximum compatibility, memory RAID, or memory mirroring, you must power down your server before removing or installing any memory board or DIMMs. For instructions, see “Cold removal of memory board instructions” described on page 70 and “Cold insertion of a memory board instructions” described on page 71.

## Memory board replacement options

The server include the following memory board replacement options:

- **Memory hot-replace** - While the system is in operation and configured with a RAID or mirroring configuration, you can replace a failed memory board. The replacement board must include identical memory capacity. The system will test, initialize, and rebuild the data on the memory board and then include this board in the system memory configuration. The activity is transparent to the OS. For instructions on how to hot-replace the memory board, see “Removing a hot-plug memory board” on page 53.
- **Memory hot-add** - You can increase the memory capacity of the system while the OS is active and if it is in a RAID or mirror configuration. If your server is in a RAID configuration, you can remove only one memory board at a time to upgrade the memory or replace the memory board. In a mirror configuration, you can add an additional two mirrored memory boards. In a maximum compatibility configuration, a new memory board can be added to an empty slot. When the initialization is complete, the operating system is informed of the new memory. For instructions on how to hot-add the memory board, see “Installing a hot-plug memory board” on page 54.
- **Memory cold-plug operation** - If your server is not in a RAID or mirror configuration, you must turn off the server to add or replace the memory board. To replace or remove a memory board using cold-plug operation, see “Installing a memory board” on page 71 and “Removing a memory board” on page 70.

## Removing a hot-plug memory board



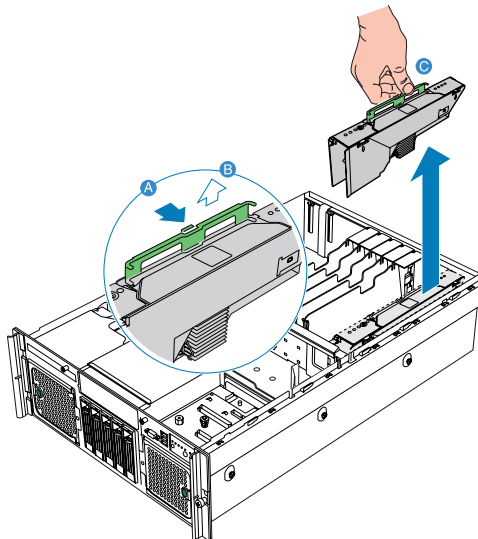
**Note:** If you remove a memory board from the server, you must either replace it with a new memory board or install a memory board air baffle.

- 1 Observe the ESD precautions described on page 33.
- 2 Press the attention button on the memory board. The power LED will begin to flash. Refer to “Memory board LED indicators” on page 21 for the location of the power LED.
- 3 After the hot-plug attention LED stops flashing, make sure the power LED for the memory board is also off.



**Caution!** Do not attempt to remove any memory board while any of the LEDs are either on or blinking. If the attention LEDs do not turn off, your configuration may not support hot-plug memory board activity. For instructions on non-hot-plug memory board maintenance, see “Cold removal of memory board” and “Cold insertion of a memory board”.

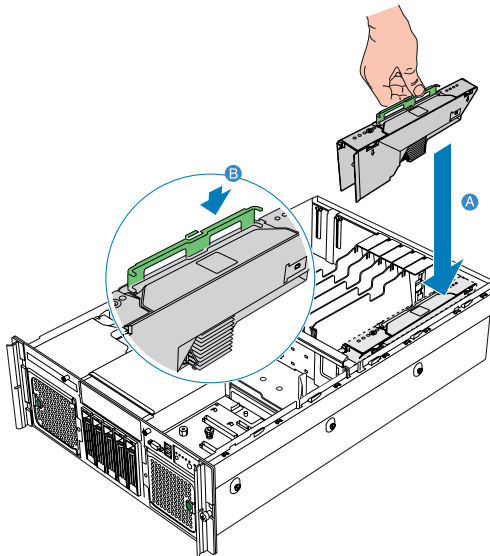
- 4 Once all the board LEDs are off, press the latch on the memory board handle to release the handle **(A)** and lift the handle up **(B)**.
- 5 Lift the memory board from the server **(C)**.



- 6 Install a memory board or memory board air baffle. For instructions on how to install a memory board, refer to section below. For instructions to install a memory board air baffle, refer to “Installing a memory board air baffle” on page 43.
- 7 Observe the post-installation instructions described on page 34.

### Installing a hot-plug memory board

- 1 Observe the ESD precautions described on page 33.
- 2 Locate an empty memory board slot.
- 3 If necessary, remove the memory board air baffle. Perform instructions described in “Removing a memory board air baffle” on page 42.
- 4 Add or replace memory DIMMs as needed. For instructions, see “Installing DIMMs” on page 73 and “Removing DIMMs” on page 75.
- 5 Ensure the handle on the memory board is in the open position.
- 6 Align the board edges with the card guides and slide the memory board into the memory board slot **(A)**.
- 7 Push the handle down until it is in the locked position **(B)**.



- 8 Observe the post-installation instructions described on page 34.



The BIOS setup utility executes a memory test prior to configuring the memory in POST and when a memory board is inserted into the system during a memory hot-removal or hot-add operation.

If a DIMM fails the memory test, an LED will light on the memory board to identify the location of the bad DIMM and the DIMM bank will be disabled. The failed DIMM is logged onto the System Event Log (SEL). BIOS setup utility will disable the DIMM and/or the memory board. Upon subsequent reboots, this memory is not initialized unless the BIOS setup option “Reset all system memory” or “Retest board memory” is selected. Refer to “4 BIOS setup” on page 87 for more information.

## PCI card



-----

**Caution!** Only PCI add-in cards in PCI slots 1 through 5 are hot-pluggable. If you are installing or removing a PCI card from PCI slot 6 or 7, see page 76 for more information.

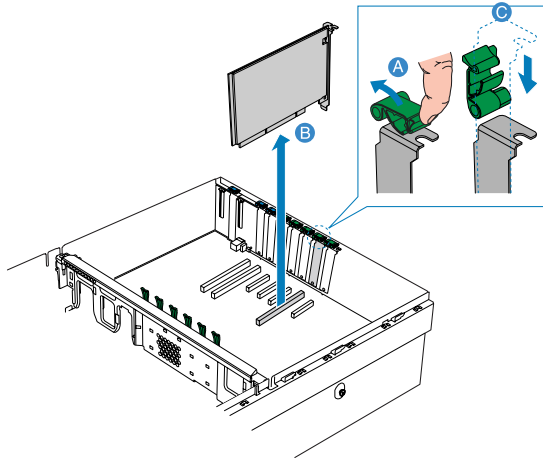
Cards can be hot-plugged in PCI slots 1 through 5. You can remove and replace a PCI card with OS hot-plug interface.

## Removing hot-plug PCI card

To remove a hot-plug PCI card with OS hot-plug interface:

- 1 Observe the ESD precautions described on page 33.
- 2 If you are using a Microsoft Windows operating system, double-click the **Unplug/Eject** icon in the taskbar to open the Unplug or Eject Hardware menu.
- 3 Select the device to be removed and click **Stop**.
- 4 Make sure that the power LED on the rear of the PCI slot is turned off before disconnecting any cables attached to the card.
- 5 Rotate the slot retention latch on the rear of the card slot upward **(A)**.
- 6 Pull up the card to remove it **(B)**.
- 7 Store the card in an antistatic protective wrapper.

- 8 Install the slot cover over the empty slot, then rotate the retention latch downward **(C)**.



- 9 Observe the post-installation instructions described on page 34.

### Installing a hot-plug PCI card

- 1 If your server is operating, use your OS to power down the PCI slot.
- 2 Observe the ESD precautions described on page 33.
- 3 Locate an empty expansion slot on the mainboard.
- 4 Rotate the slot retention latch on the rear of the card slot upward.
- 5 Pull up the slot cover.
- 6 Remove the PCI add-in board from its protective packaging.
- 7 Align the card in the empty slot.
- 8 Insert the card into the selected slot. Make sure that the card is properly seated.
- 9 Rotate the retention latch downward.
- 10 Connect any required cable to the card.
- 11 When using the hot-plug PCI card with OS hot-plug interface:
  - Wait for the software user interface to appear on your monitor and then confirm the device to be enabled.
  - Wait for the power LED to turn on.

# Configuring cold-pluggable components

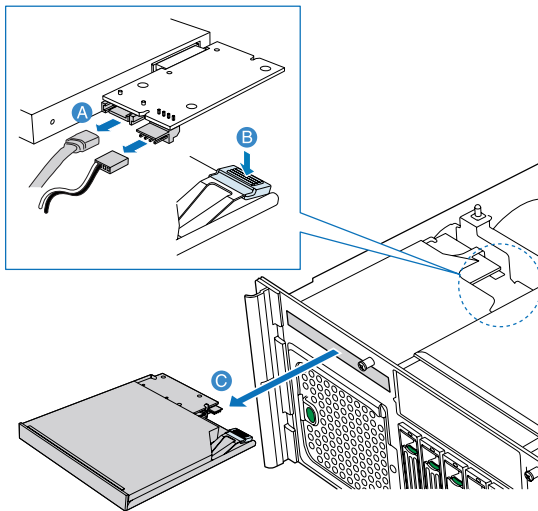
Cold-pluggable components are the components that require the system to be powered down before you can remove or replace them. The cold-pluggable components installed in the server include:

- DVD drive
- 5.25-inch drive
- Processor
- Processor core VRMs
- Memory board
- DIMM modules
- PCI card
- ARMC/3 or BMC module

## DVD drive

### Removing the DVD drive

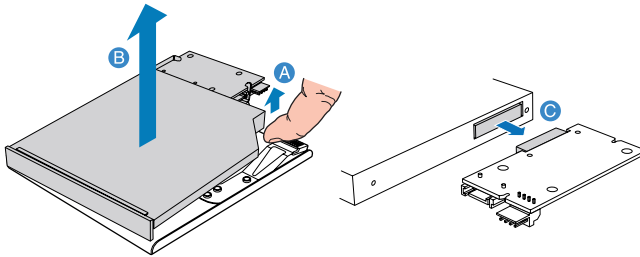
- 1 Observe the ESD precautions and pre-installation instructions described on page 33.
- 2 Disconnect the power and SATA cables from the SATA-to-IDE converter board on the rear of the media device **(A)**.
- 3 Press the blue release latch on the media device carrier **(B)**.
- 4 Slide the media device from the front opening in the faceplate of the system **(C)**.



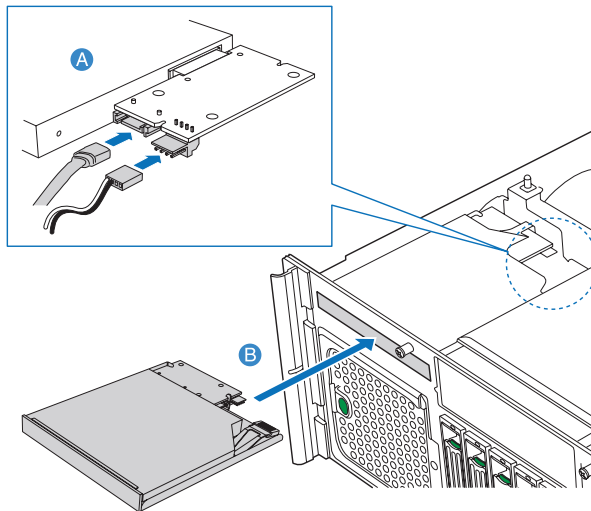
### Installing the DVD drive

- 1 Observe the ESD precautions and pre-installation instructions described on page 33.
- 2 If necessary, remove the old DVD drive. See previous section.

- 3 Lift the rear right corner of the media device to remove it from the carrier **(A)** and **(B)**.
- 4 Remove the SATA-to-IDE converter board **(C)**.



- 5 Remove the new drive from its protective packaging.
- 6 Attach the SATA-to-IDE converter board to the media device.
- 7 Install a new media device into the carrier.



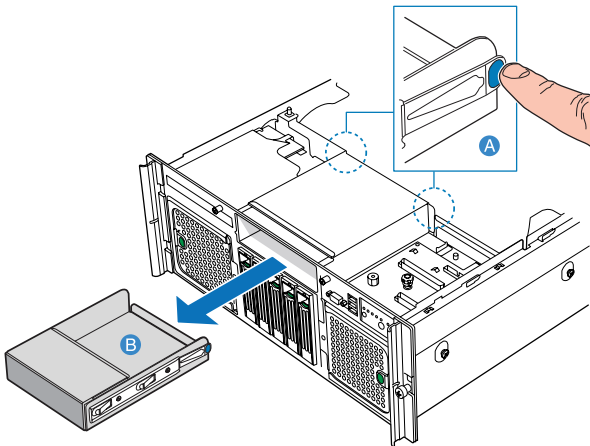
- 8 Slide the carrier into the front opening in the chassis.
- 9 Plug the SATA and power cables into the converter board.
- 10 Observe the post-installation instructions described on page 34.

## 5.25-inch drive

The 5.25-inch drive bay allows you to install additional drives such as another backup hard drive, CD-ROM drive, or a tape drive. These options provide the system with additional storage capacity.

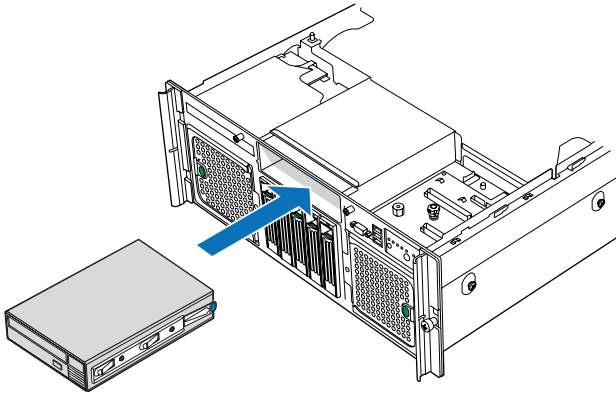
### Installing a 5.25-inch drive

- 1 Observe the ESD precautions and pre-installation instructions described on page 33.
- 2 Push the tabs on both sides of the carrier filler panel **(A)**.
- 3 Hold the tabs in while pulling the carrier filler panel from the bay **(B)**.



- 4 Remove the screws that attach the slide rails to the filler panel.
- 5 Attach the slide rails to the device, then secure it with screws you removed earlier.
- 6 Attach the Y-power cable to the rear of the device.

- 7 Slide the 5.25-inch peripheral device into the server until it clicks into place.



- 8 Observe the post-installation instructions described on page 34.

## Processor

The server supports up to four processors, the following models are supported:

- dual-core Intel Xeon processor 7000 sequence
- 64-bit Intel Xeon processor MP with 1 MB L2 cache

### CPU upgrading guidelines

When installing CPUs the following must be observed:

- Use only Acer-qualified CPUs.
- Each CPU socket include a CPU and heat sink combination.
- CPUs should have identical FSB, cache, and speed.
- CPUs must be installed in sequential order beginning with the CPU\_1 socket.
- If you are installing an additional CPU, read the information on “Processor core VRM requirements” on page 66 to determine if you need to add any VRMs and follow the instructions listed on the requirements.
- If you are removing a CPU, but not installing replacement processor, read the information on “Processor core VRM requirements” on page 66 to determine if you need to remove any VRMs and follow the instructions listed on the requirements.

### Removing a CPU

The system may have from one to four CPUs installed on the mainboard. If you are replacing a CPU on the system, the heat sink must be removed.



.....

**Important:** Before removing a CPU from the mainboard, make sure to create a backup file of all important data.

- 1 Observe the ESD precautions and pre-installation instructions described on page 33.

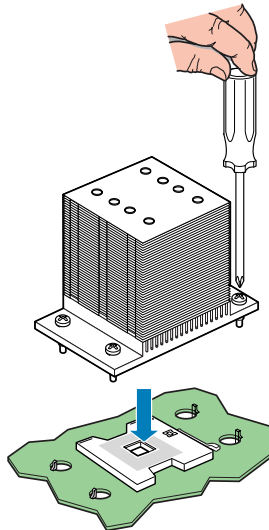


.....

**Warning!** The heat sink becomes very hot when the system is on. NEVER touch the heat sink with any metal or with your hands.



- 2 If necessary, remove the CPU air baffle. Perform instructions described in "Removing the CPU air baffle" on page 38.
- 3 Locate the CPU you want to remove.
- 4 Loosen the four screws on the heat sink.

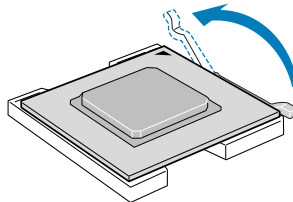


- 5 Lift the heat sink to remove it.
- 6 Place the heat sink upside down on a flat surface.

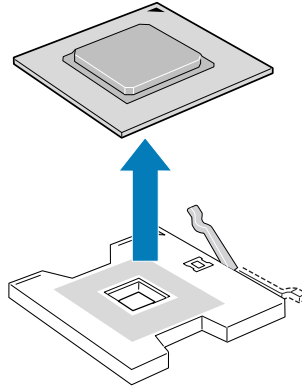


.....  
**Note:** Wipe off the thermal grease from both the heat sink and processor using an alcohol pad.

- 7 Pull the CPU socket retainer lever to the fully open, upright position.



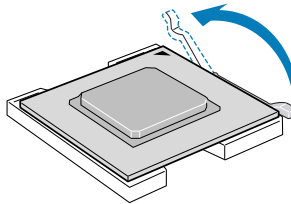
- 8 Pull out the CPU from the socket.



Store it in an anti-static bag.

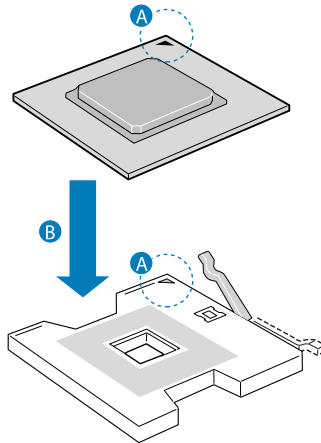
### Installing a CPU

- 1 Perform steps 1 to 3 of the "Removing a CPU" section.
- 2 If a heat sink is installed, remove it.
- 3 Pull the CPU socket retainer lever to a fully open position.

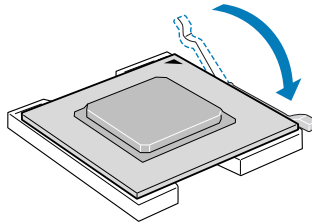


- 4 Remove the CPU from its protective packaging.

- 5 Position the CPU over the socket, matching the two triangle markers **(A)** and lining up the CPU pins with the socket **(B)**.



- 6 Press the retainer lever down to lock the CPU in place.



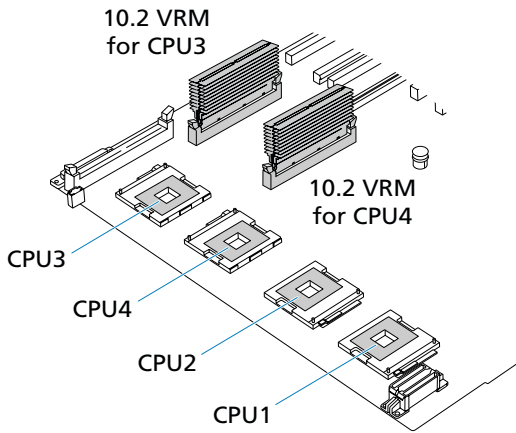
- 7 If the heat sink does not have thermal grease on the bottom, apply thermal grease to the heat sink base.
- 8 Set the heat sink on the processor, aligning the four screws in the heat sink with the screw sockets in the chassis.
- 9 Tighten the screws approximately one full turn at a time until each is evenly tightened. Do not fully tighten one screw at a time.
- 10 Install the processor VRMs and processor core VRMs as necessary. To determine requirements, see "Processor core VRM requirements" on page 66.
- 11 Reinstall the CPU air baffle. See "Installing the CPU air baffle" on page 39.
- 12 Observe the post-installation instructions described on page 34.

## Processor core VRMs

Use processor core 10.2 VRMs with processors installed in CPU sockets 3 and 4.

### Processor core VRM requirements

This server requires the installation of VRMs when upgrading the CPU in CPU sockets 3 and 4.



Refer to the configuration label on the inside of the chassis top cover for the locations of these VRMs. Contact your local Acer representative for specific VRM requirements. As an overview, the following generic VRM rules apply:

No. of processors	Processor core 10.2 VRM requirement
One	None
Two	None
Three	One core 10.2 VRM
Four	Two core 10.2 VRMs

## Removing the processor core VRM



.....

**Note:** The two processor core VRMs are located under the center brace.

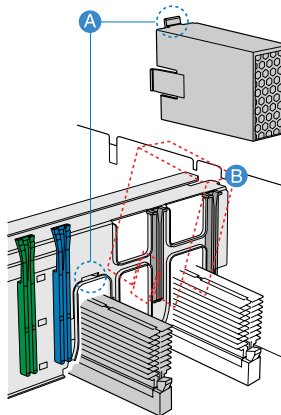
- 1 Observe the ESD precautions and pre-installation instructions described on page 33.
- 2 Remove the memory boards or memory air baffles from DIMM slots C and D. See "Cold Removal of Memory Board" on page 70 and "Removing a memory board air baffle" on page 42.
- 3 Remove the fourth processor core VRM.



.....

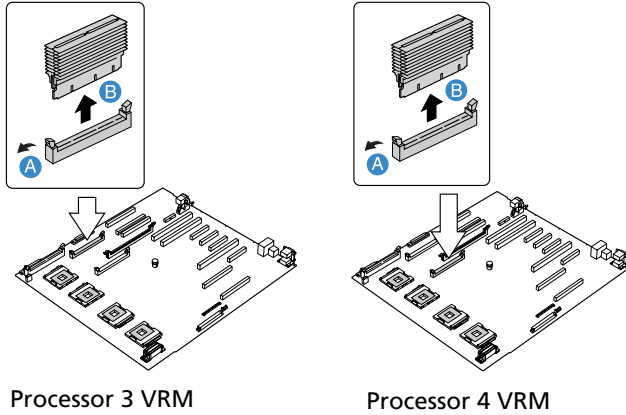
**Warning! The processor 4 VRM baffle must be installed to maintain proper system airflow, even though you may not have installed a VRM.**

- (1) Push down at the top of the baffle to unlatch it **(A)**.
- (2) Pull the cover out at an angle **(B)**.



- 4 Press the holding clips on both sides of the VRM connector **(A)**.

- 5 Gently pull the VRM upward to remove it from the socket **(B)**.



- 6 Observe the post-installation instructions described on page 34.

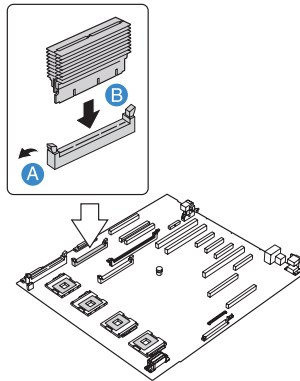
## Installing a processor core VRM



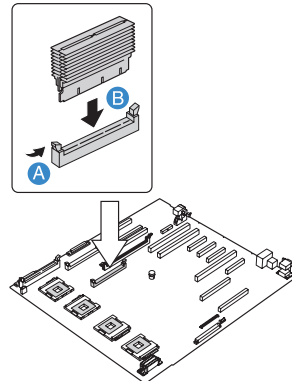
**Caution!** The processor core VRM connector is slotted to ensure proper installation. Make sure that you are inserting the correct VRM to the connector. Forcing the wrong VRM into a connector can damage the VRM and/or connector.

- 1 Observe the ESD precautions and pre-installation instructions described on page 33.
- 2 Remove the memory boards or memory air baffles from DIMM slots C and D. See “Cold Removal of Memory Board” on page 70 and “Removing a memory board air baffle” on page 42.
- 3 Verify that the connector of the VRM matches the type installed on the mainboard.
- 4 Press the holding clips on both sides of the VRM connector **(A)**.
- 5 Slide the VRM under the center brace and position it on its socket.

- 6 Insert the VRM into the correct VRM connector and press down firmly (**B**).



Processor 3 VRM



Processor 4 VRM

- 7 Press the holding clips inward to lock the VRM in place.  
 8 Install the VRM baffle over the processor 4 core VRM, if installed.  
 9 Observe the post-installation instructions described on page 34.

## Memory board

The memory boards that are configured in a non-redundant configuration (including memory boards configured with spare memory) must not be removed while the system is powered on.



.....

**Note:** If you remove a memory board from the server, you must replace it with a replacement memory board or a memory board air baffle.



.....

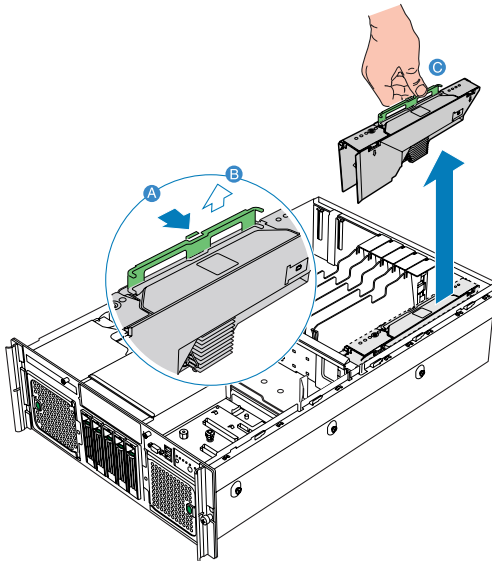
**Important:** Refer to the memory board installation order table on page 158 when installing and removing memory boards.

## Removing a memory board



**Caution!** Damage to the system occurs if power is not removed from the system prior to removal or installation of memory boards.

- 1 Observe the ESD precautions and pre-installation instructions described on page 33.
- 2 Press the latch on the memory board handle to release the handle **(A)** and lift the handle up **(B)**.
- 3 Lift the memory board from the server **(C)**.

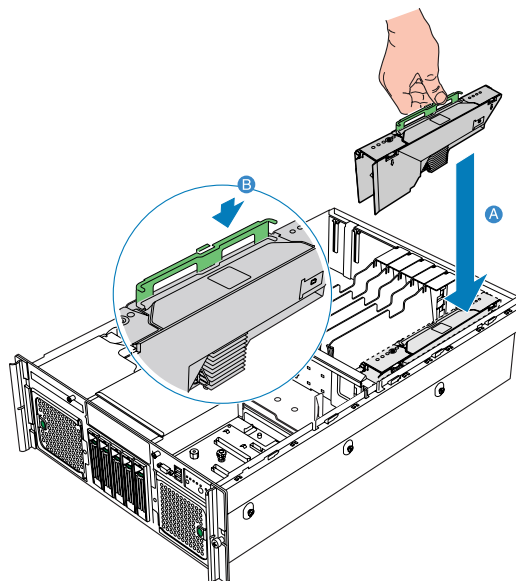


- 4 Install a memory board or memory board air baffle. For instructions to install a memory board, refer to section below. For instructions to install a memory board air baffle, refer to "Installing a memory board air baffle" on page 43.
- 5 Observe the post-installation instructions described on page 34.



## Installing a memory board

- 1 Observe the ESD precautions and pre-installation instructions described on page 33.
- 2 Locate an empty memory board slot.
- 3 If necessary, remove the memory board air baffle. Perform the instructions described in "Removing a memory board air baffle" on page 42.
- 4 Add or replace memory DIMMs as needed. For instructions, see "Installing and Removing DIMMs".
- 5 Make sure the memory board handle is in the open position.
- 6 Align the board edges with the card guides and slide the memory board into the memory board slot **(A)**.
- 7 Push the handle down until it is in the locked position **(B)**.



- 8 Observe the post-installation instructions described on page 34.

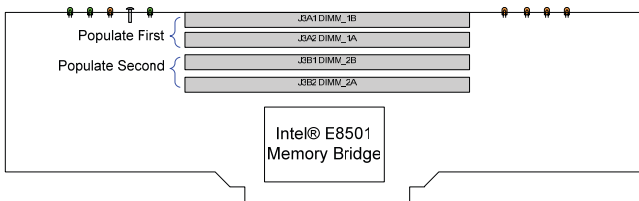
## DIMM modules

Each memory board on the server has four DIMM slots. Within the memory board, the four DIMM slots are organized into two groups. Each group is referred to as a bank. You must install the correct type of memory in each bank. Each slot supports 512 MB, 1 GB, 2 GB, and 4GB DDR2-400 (PC2-3200), ECC registered, 240-pin memory modules. The maximum memory capacity is 64 GB.

### DIMM module installation guidelines

The following rules apply when adding DIMMs to the memory boards:

- DIMMs must be populated in pairs, referred to as a bank. The two banks of DIMMs are defined on each memory board as:
  - Bank 1: DIMM slots 1A and 1B
  - Bank 2: DIMM slots 2A and 2B



When only using two DIMMs, populate DIMM 1A and 1B slots first to ensure dual-channel operating mode. Refer to the table below for suggested DIMM population.

DIMM label	Bank	Population order
DIMM 1A	1	1
DIMM 1B		
DIMM 2A	2	2
DIMM 2B		

- Within a single bank, both DIMMs must be identical. Identical DIMM size and identical number of devices on the DIMM.
- The system does not support mixed-sized DIMMs or DIMMs from different vendors within the same bank.



**Warning! Functionality issues may be encountered if mixed memory types are installed on the memory board.**

- The system does not support combination of single-channel with dual-channel memory.
- Use only DDR2 DIMMs. Other DIMMs will not fit into the socket. Attempts to force a non-DDR2 DIMM into a socket will damage and/or the socket or the DIMM.
- Hold DIMMs only by the edges. Do not touch the components or gold edge connectors.
- Install DIMMs with gold-plated edge connectors only.



.....

**Important:** Follow the DIMM module “Installation and population order” on page 158 when installing and removing DIMMs.

## Installing DIMMs



.....

**Caution!** Use extreme care when installing a DIMM. Applying too much pressure can damage the connector. DIMMs are keyed and can be inserted in only one way.

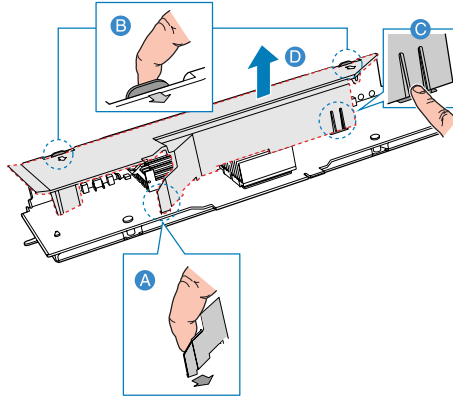


.....

**Note:** DIMM slots on the memory module must be installed only in certain configurations. Numbers next to DIMM slots correspond to installation sequence. DIMMs must be installed in pairs.

- 1 Observe the ESD precautions and pre-installation instructions described on page 33.
- 2 Remove the memory board. For instructions, see “Hot-removal of a memory board” on page 53 or “Cold-removal of a memory board” on page 70, depending on your server configuration.
- 3 Remove the memory board DIMM cover from the memory board:
  - (1) Pull out the latch on the memory board DIMM cover **(A)**.
  - (2) Press the left and right DIMM cover tabs **(B)**.
  - (3) Press the retainer tab, on the lower right of the cover **(C)**.

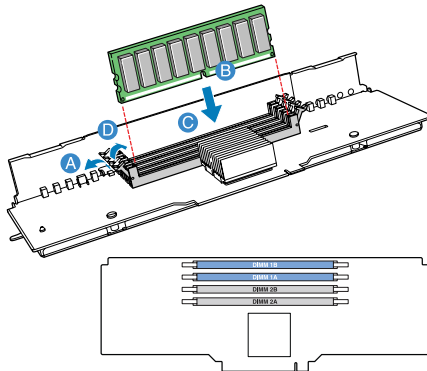
- (4) Lift the cover from the memory board **(D)**.



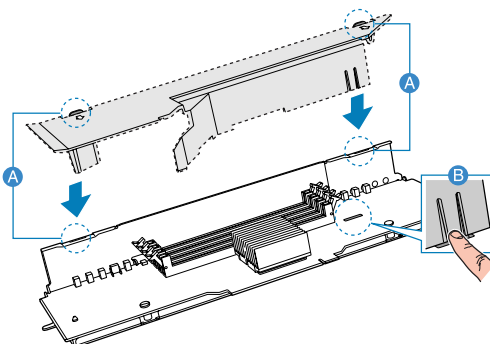
- 4 Locate the DIMM slots on the memory board.
- 5 Open the clips on the DIMM slot(s) **(A)**.
- 6 Align **(B)** then insert the DIMM into the socket **(C)**.
- 7 Press the holding clips inward to lock the DIMM in place **(D)**.



**Note:** The DIMM slot is slotted to ensure proper installation. If you insert a DIMM but it does not fit easily into the socket, you may have inserted it incorrectly. Reverse the orientation of the DIMM and insert it again.



- 8 Install the memory board DIMM cover on the memory board:
  - (1) Align the DIMM cover tabs with the top of the memory board **(A)**.
  - (2) Press the retainer tab inward **(B)**.
  - (3) Press the DIMM cover down until it clicks into place.



- 9 Install the memory board. For instructions, see “Hot-insertion of a Memory Board” on page 54 or “Cold Insertion of a Memory Board” on page 71, depending on your server configuration.
- 10 Observe the post-installation instructions described on page 34.

## Removing DIMMs

Before you can install a new DIMM in a socket, remove first any previously installed DIMM from that socket.



**Important:** Before removing any DIMM from the mainboard, make sure to create a backup file of all important data.



**Caution!** Use extreme care when removing DIMMs. Too much pressure can damage the connector. Apply only enough pressure on the plastic levers to release the DIMM.

- 1 Perform steps 1 to 5 described in the “Installing DIMMs” section.
- 2 Gently pull the DIMM upward to remove it from the socket.

- 3 Install the memory board. For instructions, see “Hot-insertion of a Memory Board” on page 54 or “Cold Insertion of a Memory Board” on page 71, depending on your server configuration.
- 4 Observe the post-installation instructions described on page 34.

To reconfigure the system memory:

The system automatically detects the amount of memory installed. Run the BIOS setup to view the new value for total system memory and make a note of it.

## PCI card

PCI cards installed in slots 1 to 5 are hot-pluggable. If you are adding or removing a card from one of these slots, you can do so without powering down the server.

### Removing a non-hot-plug PCI card



-----  
**Caution!** Damage to the system occurs if power is not removed from the system prior to removal or installation of non-hot-plug boards.

- 1 Observe the ESD precautions and pre-installation instructions described on page 33.
- 2 Disconnect any cables attached to the PCI card.
- 3 Perform steps 5 to 9 described in the “To remove a hot-plug PCI card with OS hot-plug interface:” on page 55.

### Installing a non-hot-plug PCI card

- 1 Observe the ESD precautions and pre-installation instructions described on page 33.
- 2 Perform steps 3 to 10 described in the “Installing a hot-plug PCI card” on page 56.
- 3 Observe the post-installation instructions described on page 34.

## ARMC/3 (optional) or BMC module

The ARMC/3 or BMC module provides server management firmware and functionality for the system.

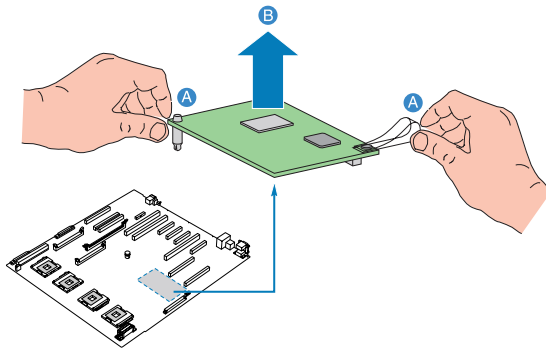
### Removing the ARMC/3 or BMC module

- 1 Observe the ESD precautions and pre-installation instructions described on page 33.
- 2 Remove the memory boards or memory air baffles from DIMM slots C and D. See "Cold Removal of Memory Board" on page 70 and "Removing a memory board air baffle" on page 42.
- 3 Hold the module both by the loop finger grip and by the opposite corner **(A)**.



-----  
**Caution:** Do not bend or twist the module.

- 4 Pull up the module to remove it from the connector **(B)**.

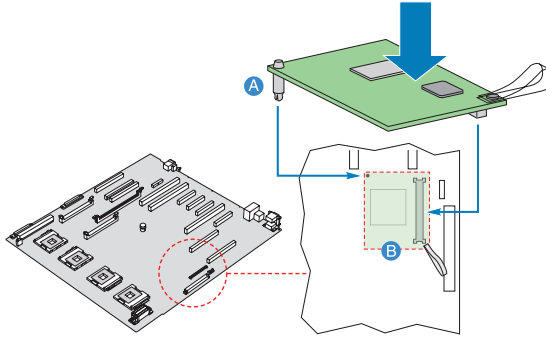


- 5 Observe the post-installation instructions described on page 34.

### Installing the ARMC/3 or BMC module

- 1 Observe the ESD precautions and pre-installation instructions described on page 33.
- 2 Remove the memory boards or memory air baffles from DIMM slots C and D. See "Cold Removal of Memory Board" on page 70 and "Removing a memory board air baffle" on page 42.

- 3 Insert the standoff into the hole in the ARMC/3 or BMC module connector **(A)**. The standoff installs on the bottom side of the module.
- 4 Attach the module to the connector and snap the standoff into the matching hole on the mainboard **(B)**.



- 5 Observe the post-installation instructions described on page 34.



# Configuring integrated SCSI hardware RAID components

The system supports hardware RAID through the storage I/O processor in conjunction with the LSI SCSI controller. The server platform supports RAID 0, 1, 5, and 10 configurations. Functionality for hardware RAID is enabled by using the following components:

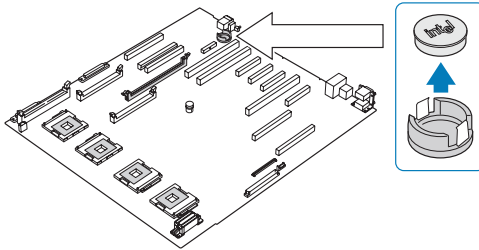
- RAID activation key (iButton)
- RAID cache

There is also an option to install the RAID BBU (battery backup unit). If power to the storage I/O processor drops below specifications, the RAID BBU maintains the contents of the DIMM by keeping the DIMM in self-refresh mode until power is restored. After power is restored, data can be safely written to drives, maintaining the integrity of the disk array.

## RAID activation key

### Removing the RAID activation key

- 1 Observe the ESD precautions and pre-installation instructions described on page 33.
- 2 Remove the memory boards or memory air baffles from DIMM slots C and D. See “Cold Removal of Memory Board” on page 70 and “Removing a memory board air baffle” on page 42.
- 3 If a PCI card is installed in PCI-X Slot 7, remove the card. For instructions on removing a PCI card, see page 76.
- 4 Insert the tip of a small flat-bladed screwdriver under the plastic tab on the retainer holding the activation key to the mainboard.
- 5 Gently push down to detach the activation key.

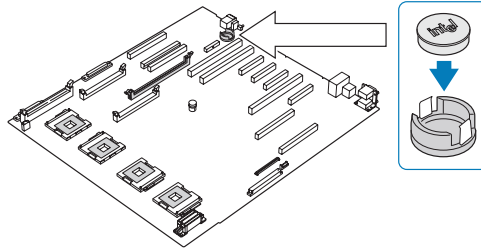


- 6 Store the activation key in an anti-static bag.
- 7 Replace the memory board air baffle.
- 8 Replace the PCI card.
- 9 Observe the post-installation instructions described on page 34.

### Installing the RAID activation key

- 1 Observe the ESD precautions and pre-installation instructions described on page 33.
- 2 Remove the memory boards or memory air baffles from DIMM slots C and D. See “Cold Removal of Memory Board” on page 70 and “Removing a memory board air baffle” on page 42.
- 3 If a PCI card is installed in PCI-X Slot 7, remove the card. For instructions on removing a PCI card, see page 76.
- 4 Remove the RAID activation key from its protective packaging.

- 5 Align then insert the activation key into the RAID activation key connector on the mainboard. .



- 6 Replace the memory board air baffle.
- 7 Replace the PCI card.
- 8 Observe the post-installation instructions described on page 34.

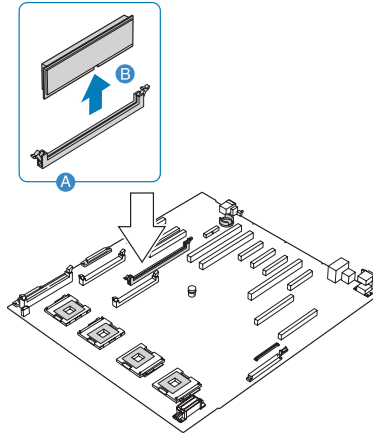
## RAID cache

The RAID cache serves as memory for the storage I/O processor and as a disk cache to store write data to drives.

### Removing the RAID cache

- 1 Observe the ESD precautions and pre-installation instructions described on page 33.
- 2 Remove the memory boards or memory air baffles from DIMM slots C and D. See "Cold Removal of Memory Board" on page 70 and "Removing a memory board air baffle" on page 42.
- 3 Press the holding clips on both sides of the slot outward to release the RAID cache **(A)**.
- 4 Gently pull the RAID cache upward to remove it from the slot **(B)**.

- 5 Close the clips.



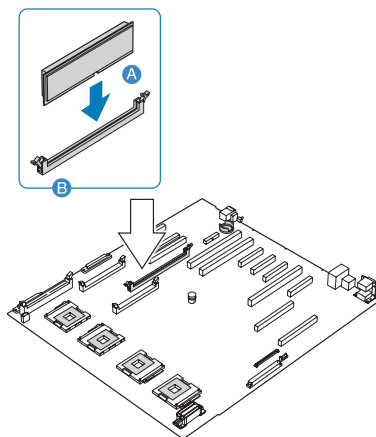
- 6 Replace the memory boards and memory air baffles.
- 7 Observe the post-installation instructions described on page 34.

## Installing the RAID cache

- 1 Observe the ESD precautions and pre-installation instructions described on page 33.
- 2 Remove the memory boards or memory air baffles from DIMM slots C and D. See "Cold Removal of Memory Board" on page 70 and "Removing a memory board air baffle" on page 42.
- 3 Locate the RAID cache memory (DDR-2) slot on the mainboard.
- 4 Open the clips on the slot.
- 5 Align then insert the RAID cache into the slot **(A)**.
- 6 Press the holding clips inward to lock the RAID cache in place **(B)**.



**Note:** RAID activation key and RAID cache is required to activate integrated hardware RAID. For instructions on installing RAID activation key, see page 80.



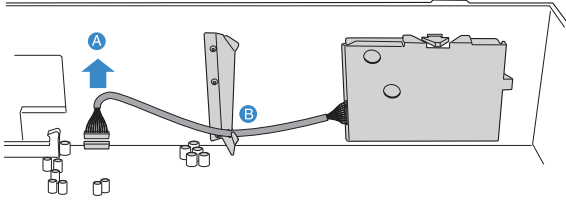
- 7 Observe the post-installation instructions described on page 34.

## RAID BBU

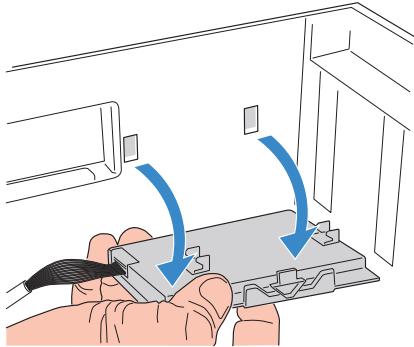
### Removing the RAID BBU

- 1 Observe the ESD precautions and pre-installation instructions described on page 33.
- 2 Remove the memory boards or memory air baffles from DIMM slots C and D. See "Cold Removal of Memory Board" on page 70 and "Removing a memory board air baffle" on page 42.
- 3 If a memory board is installed in memory board slot D, remove the board. For instructions on removing a memory board, see page 70.

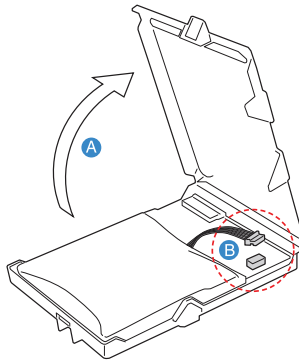
- 4 Disconnect the battery cable from the mainboard **(A)** and detach it from its chassis holder **(B)**.



- 5 Remove the battery holder from the chassis.



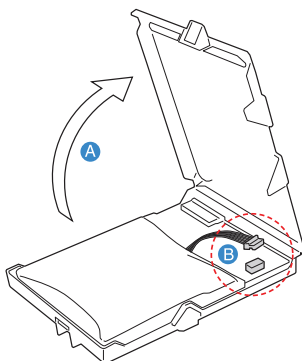
- 6 Open the battery holder by pinching the top and bottom covers of the holder **(A)**, then detach the cable inside the battery pack **(B)**.



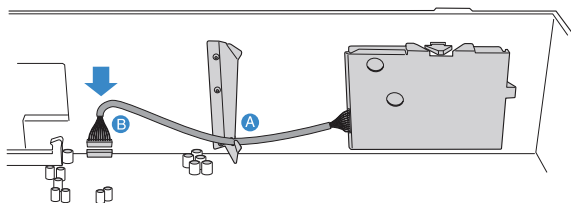
- 7 Remove the RAID BBU from the chassis.
- 8 Replace the memory boards and memory air baffles.
- 9 Observe the post-installation instructions described on page 34.

## Installing the RAID BBU

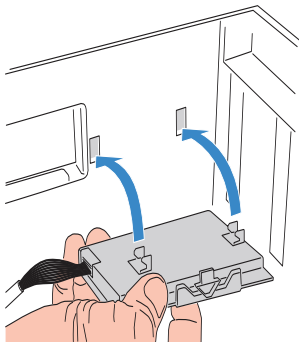
- 1 Observe the ESD precautions and pre-installation instructions described on page 33.
- 2 Remove the memory boards or memory air baffles from DIMM slots C and D. See "Cold Removal of Memory Board" on page 70 and "Removing a memory board air baffle" on page 42.
- 3 If a memory board is installed in memory board slot D connector, remove the board. For instructions on removing a memory board, see page 70.
- 4 Open the battery holder by pinching the top and bottom covers of the holder **(A)**.
- 5 Connect the cable inside the battery pack **(B)**.



- 6 Secure the battery cable to its chassis holder **(A)**.
- 7 Attach the cable to the RAID BBU connector on the mainboard **(B)**.



- 8 Engage the hooks on the back of the battery into the matching slots on the chassis.



- 9 Replace the memory boards and memory air baffles.
- 10 Observe the post-installation instructions described on page 34.



# 4 BIOS setup

This chapter gives information about the system BIOS and discusses how to configure the system by changing the settings of the BIOS parameters.

# Introduction

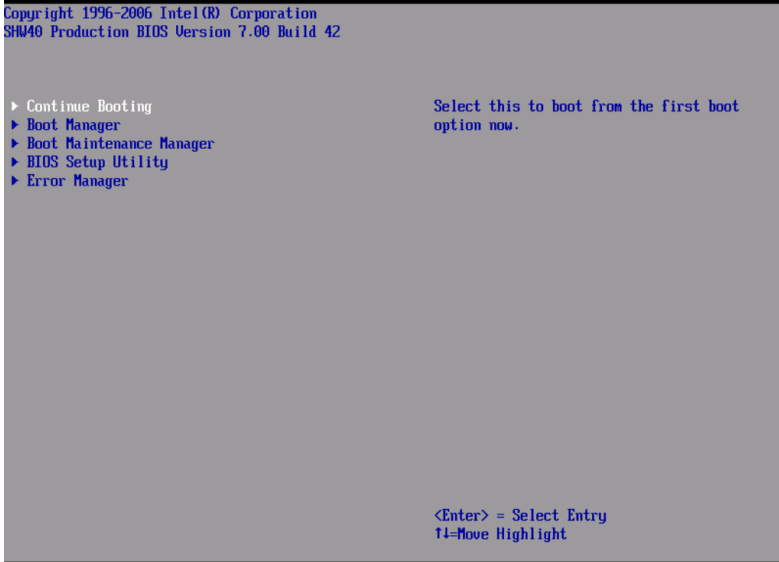
BIOS setup is a hardware configuration program built into the system's Basic Input/Output System (BIOS). Since most systems are already properly configured and optimized, there is no need to run this utility.

BIOS setup loads the configuration values in a battery-backed nonvolatile memory called CMOS RAM. This memory area is not part of the system RAM which allows configuration data to be retained when power is turned off.

Before you run BIOS setup, make sure that you have saved all open files. The system reboots immediately after you close the setup.

# System options menu

During the boot process, the system will display the boot progress on the monitor. The SCSI BIOS scan is displayed followed by the BIOS splash screen. Press any key on the keyboard to access the System options menu.



The System options menu, the BIOS version, copyright information and the following options are displayed:

- Continue Booting
- Boot Manager
- Boot Maintenance Manager
- BIOS Setup Utility
- Error Manager

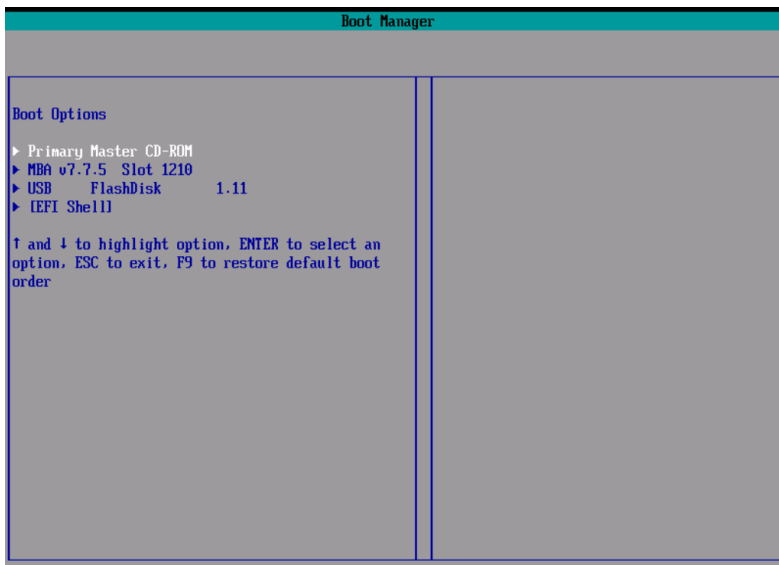
Note the following reminders when moving around the System options screen:

- Use the **Up** and **Down** arrow keys to highlight an option.
- Use the **Enter** key to select an option.
- Press **F9** to load the default configuration.
- Press **Esc** to close the System Options menu.

## Using the System options menu

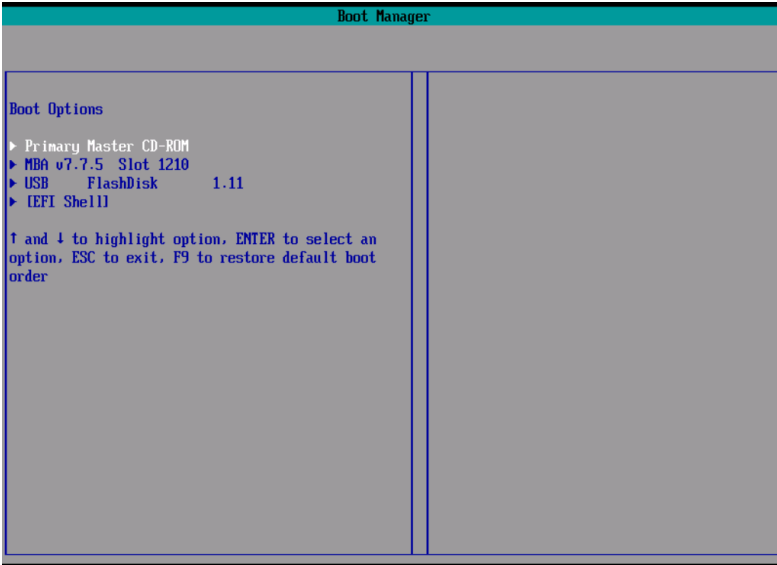
### Continue Booting

Select Continue Booting option to boot from the device specified as first boot option by the Boot Manager. The Continue Booting option is selected by default, and will occur automatically if a preset timeout expires.



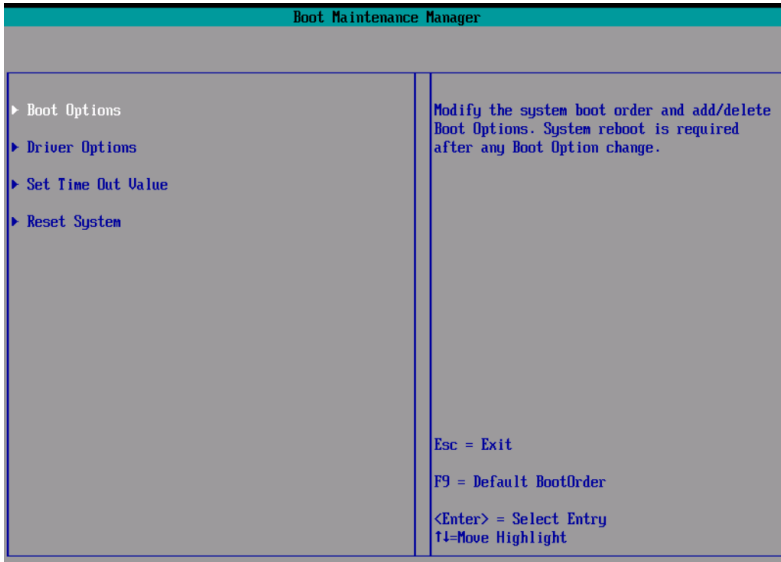
## Boot Manager

The Boot Manager option lets you set the device priority during system bootup. The server will attempt to boot from the first device on the list. If the first device is not available, it will continue down the list until it reaches an available device..



## Boot Maintenance Manager

The Boot Maintenance Manager option includes a menu of choices that lets you configure the boot options and boot environment variables.

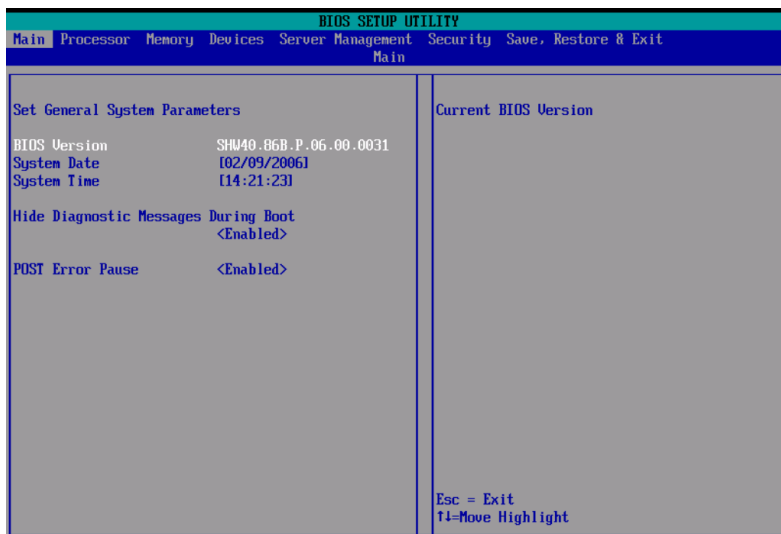


The Boot Maintenance Manager include the following options:

- Boot Options - Select this option to modify the system boot order and add or delete boot options.
- Driver Options - Select this option to modify the boot driver options.
- Set Time Out Value - Select this option to modify the automatic boot time-out value.
- Reset System - Select this option to reboot the server.

## BIOS Setup Utility

Select BIOS Setup Utility option to configure the server BIOS settings.



Refer to "Using the BIOS menus" on page 98 for more information.



## Error Manager

Error Manager lets you view POST errors detected by the system.

Error Manager Utility			
ERROR CODE	SEVERITY	INSTANCE	DESCRIPTION
8110	major	1	Processor 01 Internal error (IERR). The error code value identifies the error. Major severity requires user intervention but does not stop system boot. The instance value identifies the component in error.
8130	minor	1	
8112	major	3	
8132	minor	3	
8113	major	4	
8133	minor	4	

Esc = Exit  
F1=Move Highlight

# BIOS setup

The BIOS setup utility stores basic settings for your server. You will need to run this utility under the following conditions:

- When changing the system configuration
- When a configuration error is detected by the system and you are prompted ("Run Setup" message) to make changes to the BIOS setup



.....

**Note:** If you repeatedly receive Run Setup messages, the battery may be bad. In this case, the system cannot retain configuration values in CMOS. Ask a qualified technician for assistance.

- When redefining the communication ports to prevent any conflicts
- When changing the password or making other changes to the security settings

## Entering BIOS setup

Power on the server to start the system POST process. During bootup, press **F2** to enter the BIOS setup screen.



.....

**Note:** You must press **F2** while the system is booting. This key does not work during any other time.

There are several tabs on the setup screen corresponding to the six primary BIOS menus:

- Main
- Processor
- Memory
- Devices
- Server Management
- Security
- Save, Restore & Exit

The parameters on the screens shown in this User's Guide display default system values. These values may not be the same as those in the system.

Note the following reminders when moving around the setup screen:

- Use the **Left** and **Right** arrow keys to move to the next page or to return to the previous screen.
- Use the **Up** and **Down** arrow keys to select an item.
- Use the **+** and **-** keys to select an option.



.....

You can configure a parameter that is enclosed in square brackets. Grayed-out items have fixed settings and are not user-configurable.

- Use the **Enter** key to display a submenu screen.



.....

**Note:** When a parameter is preceded by a [**>**], it means that a submenu screen is available.

- Press **F1** for General Help on using the BIOS setup.
- Press **F9** to load the default configuration.
- Press **F10** to save changes and close the BIOS setup.
- Press **Esc** to close the BIOS setup.

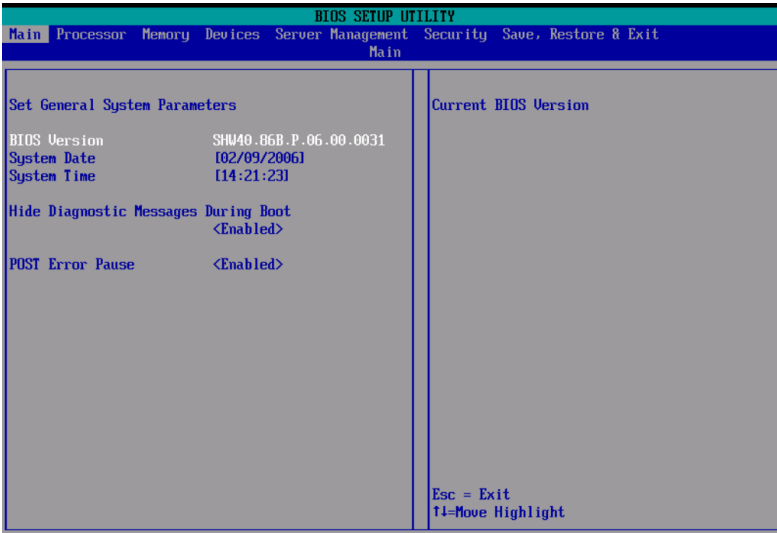
In the descriptive table following each of the screen illustrations, settings in **boldface** are the default and suggested parameter settings.

# Using the BIOS menus

## Main

The Main menu displays basic and important information about the system. These information are necessary for troubleshooting and may be required when asking for technical support. These entries are for your reference only and are not user-configurable.

The System Date and System Time parameters lets you define the sytem’s time and date settings. The real-time clock keeps the system date and time. After setting the date and time, you do not need to enter them every time you turn on the system. As long as the internal battery remains good and connected, the clock continues to keep the date and time accurately even when the power is off.

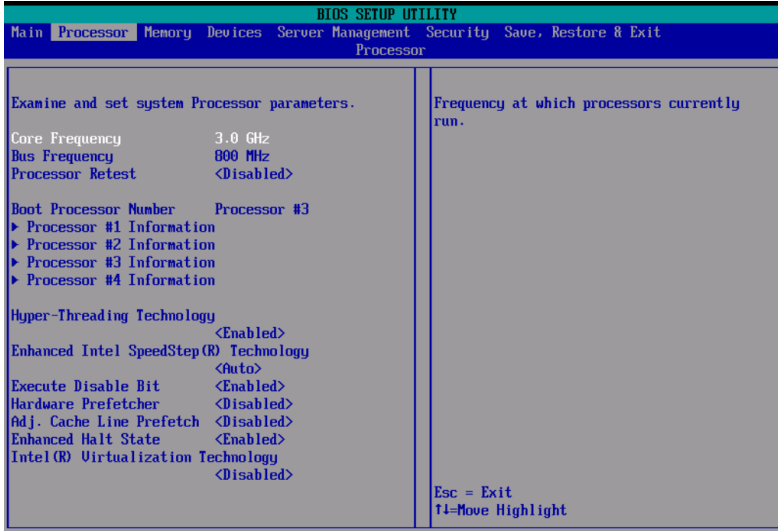


Parameter	Description	Option
BIOS Version	Version of the BIOS.	

Parameter	Description	Option
System Date	<p>Sets the date following the month-day-year format. Valid values for weekday, month, day, and year are:</p> <p>Month: Jan, Feb, Mar, Apr, May, Jun, Jul, Aug, Sep, Oct, Nov, Dec</p> <p>Day: 1 to 31</p> <p>Year: 1998 to 2099</p>	
System Time	<p>Sets the time following the hour-minute-second format. Valid values for hour, minute, and second are:</p> <p>Hour: 00 to 23</p> <p>Minute: 00 to 59</p> <p>Second: 00 to 59</p>	
Hide Diagnostic Messages During Boot	When this parameter is enabled, it will not display diagnostic messages during startup.	<p><b>Enabled</b></p> <p>Disabled</p>
POST Error Pause	If enabled, the system will pause if an error is found during POST.	<p><b>Enabled</b></p> <p>Disabled</p>

## Processor

The Processor menu displays CPU settings such as type, actual speed, cache size and other CPU related settings.



Parameter	Description	Option
Core Frequency	Indicates the processor clock speed.	
Bus Frequency	Indicates the processor front side bus speed.	
Processor Retest	When an error message associated with the processor occurs during POST, you can enable this parameter to eliminate the error message.	<b>Disabled</b> Enabled
Boot Processor Number	Indicates the processor from which the system will first attempt to boot up.	
Processor # Information	Press <b>Enter</b> to access the Processor # Information submenu.	
Hyper Threading Technology	Enables or disables the Hyper-Threading Technology function of the processor.	<b>Enabled</b> Disabled

Parameter	Description	Option
Enhanced Intel SpeedStep Technology	When set to Auto, this feature allows the OS to reduce power consumption. When set to Disabled, the system operates at maximum CPU speed.	<b>Auto</b> Disabled
Execute Disable Bit	When Enabled, the processor disables code execution when a worm attempts to insert a code in the buffer preventing damage and worm propagation. When Disabled, the processor forces the Execute Disable Bit feature flag to always return to 0. <b>Note:</b> This parameter is hidden if the processor does not support this function.	<b>Enabled</b> Disabled
Hardware Prefetcher	Enables or disables the processor Hardware Prefetch feature.	<b>Disabled</b> Enabled
Adj. Cache Line Prefetch	Enables or disables the processor Adjacent Cache Line Prefetch feature.	<b>Disabled</b> Enabled
Enhanced Halt State	If enabled, the processor power consumption will be lower when system is idle.	<b>Enabled</b> Disabled
Intel Virtualization Technology	Enables or disables the system to run multiple operating systems and applications in different partition.	<b>Disabled</b> Enabled

## Processor Information

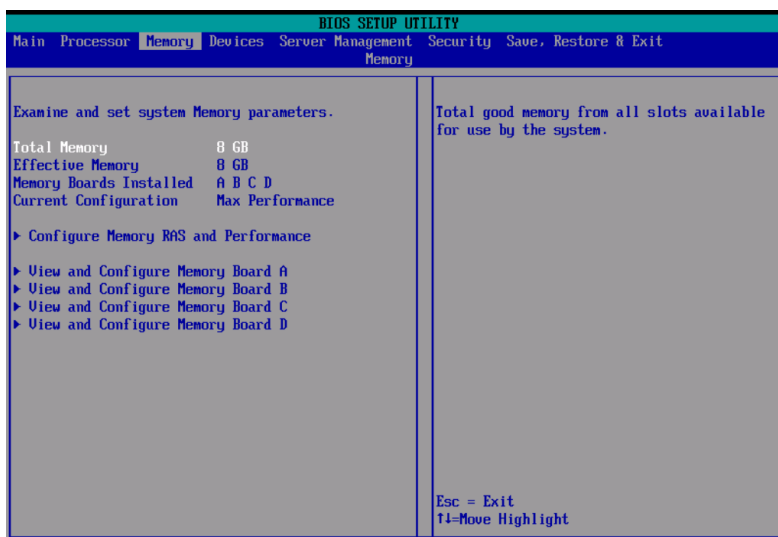
The screen below appears when you select the Processor #1, 2, 3, or 4 Information menu. The Processor # Information submenu displays the CPU settings such as type, cache size, and other CPU related settings.

BIOS SETUP UTILITY	
Main Processor Memory Devices Server Management Security Save, Restore & Exit	
Processor #1 Information	
Detailed information for processor #1.	
Processor Family	Genuine Intel(R) CPU
Maximum Frequency	3.0 GHz
Cache Size	4 MB
CPUID Register	00000F48
Core 1	
Thread 1 Status	Application Thread
Thread 1 Health	Healthy
Thread 2 Status	Application Thread
Thread 2 Health	Healthy
Core 2	
Thread 1 Status	Application Thread
Thread 1 Health	Healthy
Thread 2 Status	Application Thread
Thread 2 Health	Healthy
Esc = Exit F1=Move Highlight	
Identifies family or generation of the processor.	



## Memory

The Memory menu displays the total amount of memory installed, number of memory boards installed, and the current memory configuration.

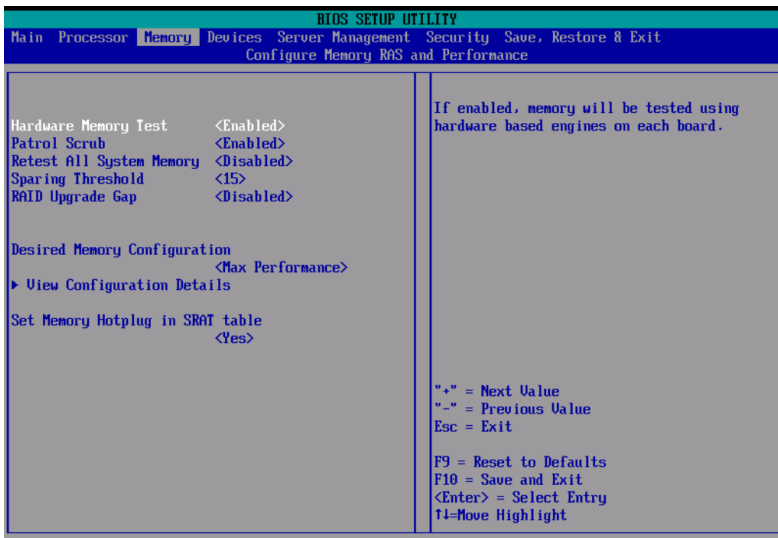


Parameter	Description
Total Memory	Indicates the total amount of onboard memory. The memory size is automatically detected by BIOS during the POST. If you install additional memory, the system automatically adjusts this parameter to display the new memory size.
Effective Memory	Indicates the total effective memory installed in the server.
Memory Boards Installed	Indicates the total amount of memory boards installed in the server.
Current Configuration	Displays the current memory configuration.

Parameter	Description
Configure Memory RAS and Performance	Press <b>Enter</b> to access the Configure Memory RAS and Performance submenu.
View and Configure Memory Board (A, B, C, or D)	Press <b>Enter</b> to access the View and Configure Memory Board submenu.

## Configure Memory RAS and Performance

The screen below appears when you select the Configure Memory RAS and Performance menu. This submenu allows you to view memory configuration details and configure the memory boards in the server.

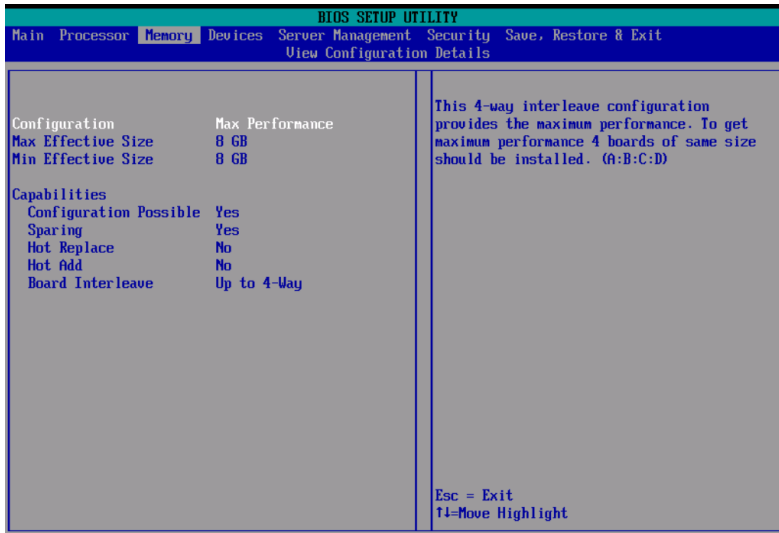


Parameter	Description	Option
Hardware Memory Test	If enabled, memory will be tested using hardware based engines on each memory board.	<b>Enabled</b> Disabled

Parameter	Description	Option
Patrol Scrub	Enables or disables the hardware patrol scrub to clean correctable errors.	<b>Enabled</b> Disabled
Retest all System Memory	If enabled, retest all memory in the system (including disabled DIMMs) and enables memory which passes the test. This option will reset to Disabled after the test is completed.	<b>Disabled</b> Enabled
Sparing Threshold	Set the number of correctable errors that can be logged in a period before memory sparing occurs. Refer to "To configure memory sparing" on page 168 for more details.	<b>15</b> 1, 2, 3, 4, 5, 6, 7, 8, 9, 10, 11, 12, 13, 14
RAID Upgrade Gap	Size of reserved gap on each memory board for RAID memory capacity addition.	<b>Disabled</b> 512MB 1024MB 1536MB 2048MB 2560MB 3072MB 3584MB 4096MB
Desired Memory Configuration	Select a new memory configuration/option.	<b>Max Performance</b> Max Compatibility Mirror RAID
View Configuration Details	Press <b>Enter</b> to access the View and Configuration Details submenu.	
Set Memory Hot-plug in SRAT table	Enables hot-replace and hot-add memory boards while the system is in operation.	<b>Yes</b> No

## View Configuration Details

The screen below appears when you select the View Configuration Details menu. This submenu allows you to view detailed information regarding the current memory configuration.

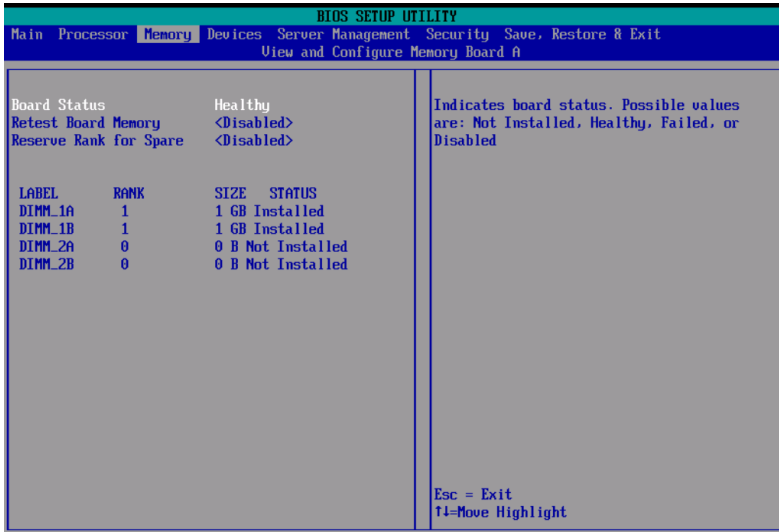


Parameter	Description
Configuration	Indicates the type of memory configuration set in Configure Memory RAS and Performance menu.
Max Effective Size	Indicates the maximum possible size of memory. Maximum effective memory size results when no spares are configured. The actual effective size will be calculated on the next system boot.
Min Effective Size	Indicates the minimum possible size of memory. Minimum effective memory size results when the largest DIMMs are used as spare. The actual effective size will be calculated on the next system boot.
Capabilities	The characteristics of the selected configuration

<b>Parameter</b>	<b>Description</b>
Configuration Possible	Indicates whether the selected configuration is possible with the current installed memory. If No is displayed, you may need to install more memory to meet the requirements of the selected configuration.
Sparing	Indicates whether the selected configuration supports sparing.
Hot Replace	Indicates whether the selected configuration allow memory to be replaced while the system is running.
Hot Add	Indicates whether the selected configuration allow memory to be added while the system is running.
Board Interleave	Indicates the board interleave for a chosen configuration. In mixed interleave, BIOS configures the best possible interleave for each memory range.

## View and Configure Memory Board #

The screen below appears when you select the View and Configure Memory Board # menu. This submenu allows you to view memory board status and configure the memory boards in the server.



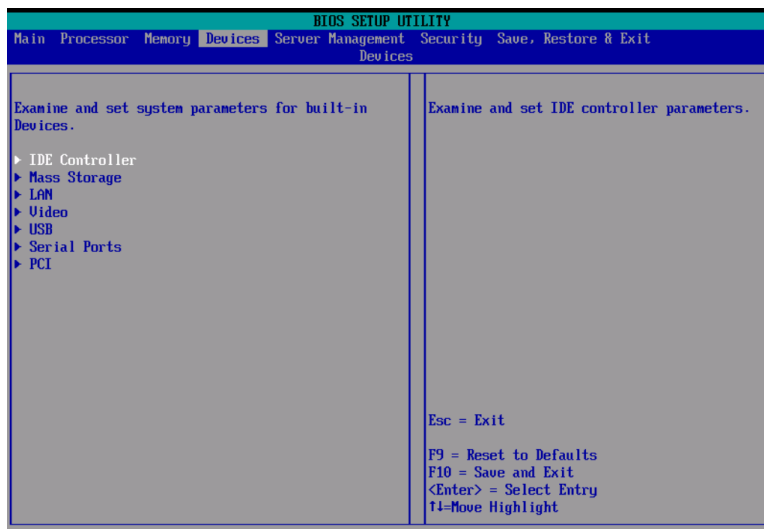
Parameter	Description	Option
Board Status	Indicates the memory board status. The possible status include: Not Installed, Healthy, Failed, or Disabled.	<b>Healthy</b> , Not Installed, Failed, or Disabled
Retest Board Memory	Enables or disables the retest of all DIMMs on the current memory board. When this parameter is set to Enabled, the DIMMs will be re-enabled after passing the test.	<b>Disabled</b> Enabled

Parameter	Description	Option
Reserve Rank for Spare	Enables or disables the BIOS to set aside the largest memory rank to server as spare. Refer to "To configure memory sparing" on page 168 for more details. When correctable errors on a bad rank surpasses the sparing threshold, it is replaced by a spare rank.	<b>Disabled</b> Enabled
DIMM Label (1A,1B, 2A, or 2B) status table	Indicates the DIMM and DIMM slot status.	<b>Not Installed,</b> Installed, Installed/ Partial, or Failed

## Devices

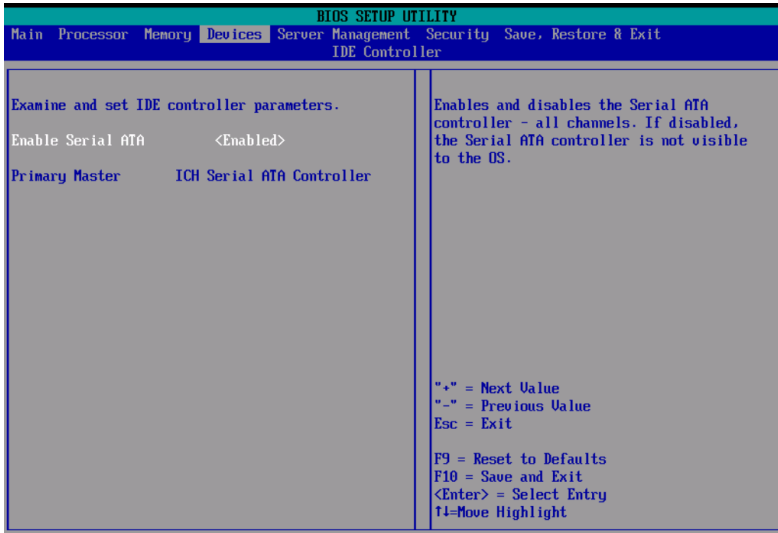
The Devices menu allows you to examine and set system parameters for built-in devices.

Press **Enter** to enter the submenu screen of the parameters shown in the screen below.



## IDE Controller

The IDE Controller submenu lets you examine and set IDE controller-related parameters.

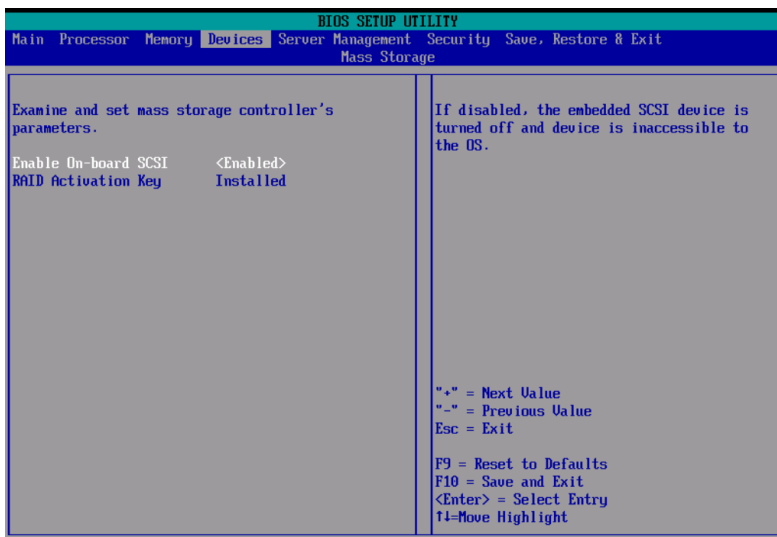


Parameter	Description	Option
Enable Serial ATA	Enables or disables all channels of the Serial ATA controller.	<b>Enabled</b> Disabled
Primary Master	Indicates the controller that is set as primary master.	



## Mass Storage

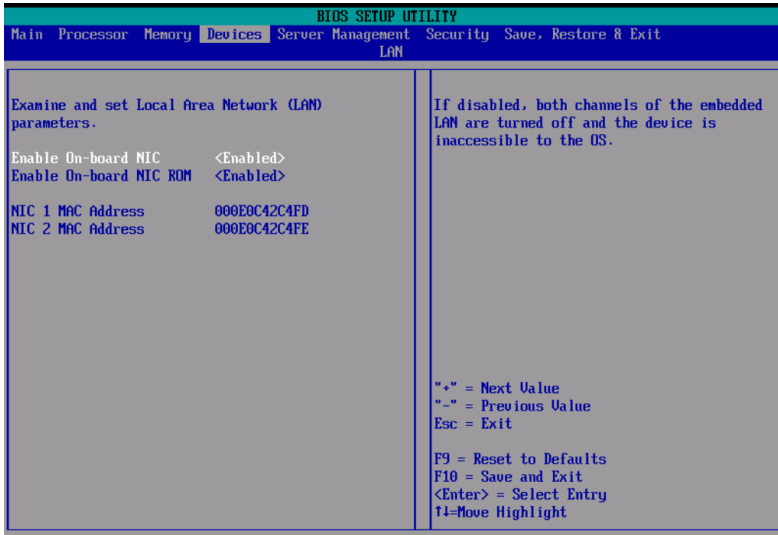
The Mass Storage submenu displays the status of the mass storage controller



Parameter	Description	Option
Enable On-board SCSI	Enables or disables the onboard SCSI controller. <b>Note:</b> This parameter is grayed out if ROMB is enabled.	<b>Enabled</b> Disabled
RAID Activation Key	Indicates if the RAID activation key is installed or not.	<b>Installed</b> Not Installed

## LAN

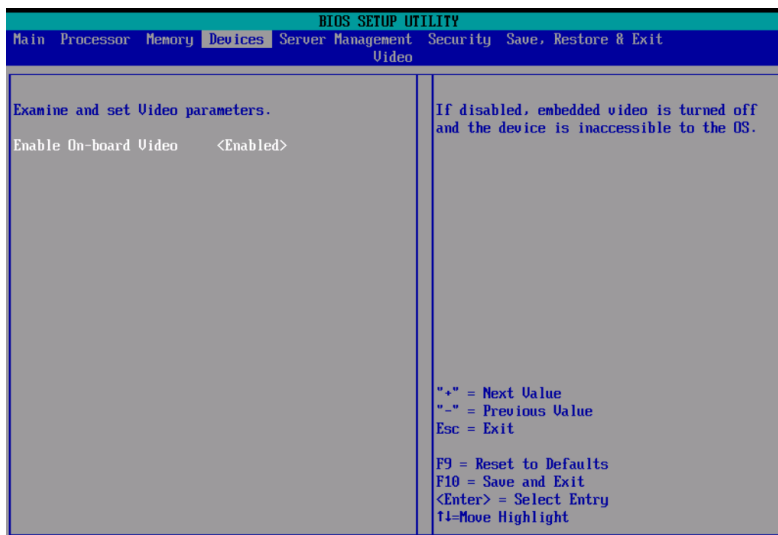
The LAN submenu displays the status of the local area network and lets you set the local area network parameters.



Parameter	Description	Option
Enable On-board NIC	Enables or disables both channels of the embedded LAN. If Disabled, both channels of the embedded LAN are turned off and the device is inaccessible to the OS.	<b>Enabled</b> Disabled
Enable On-board NIC ROM	Enables or disables the ROM for the onboard LAN.	<b>Enabled</b> Disabled
NIC 1 or 2 MAC Address	Indicates the media access control of the system's LAN controller.	

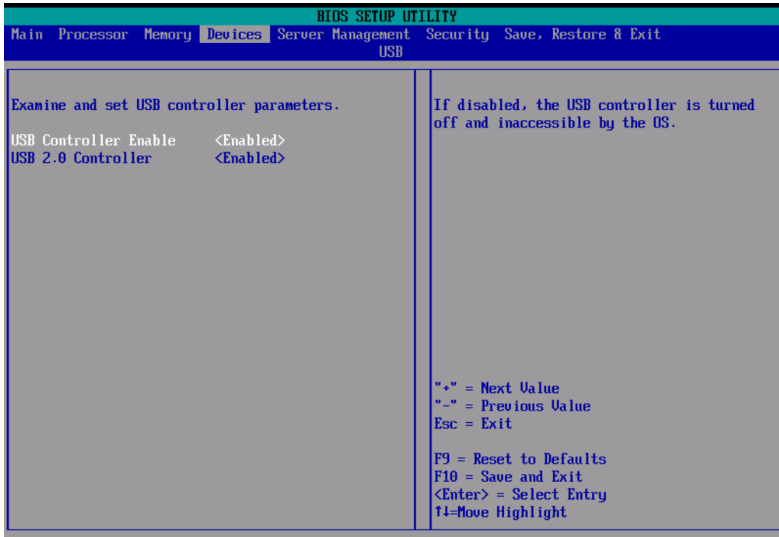
## Video

The Video submenu allows you to enable or disable the onboard video controller.



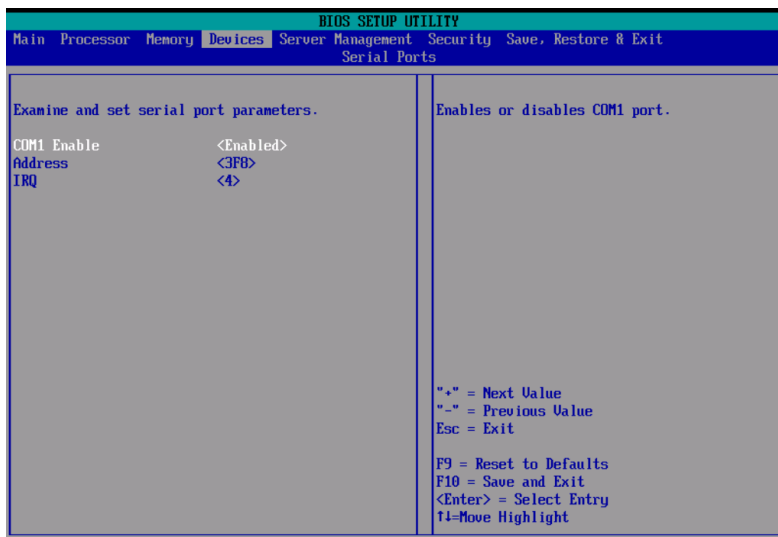
## USB

The USB submenu allows you to enable or disable the onboard USB controller.



## Serial

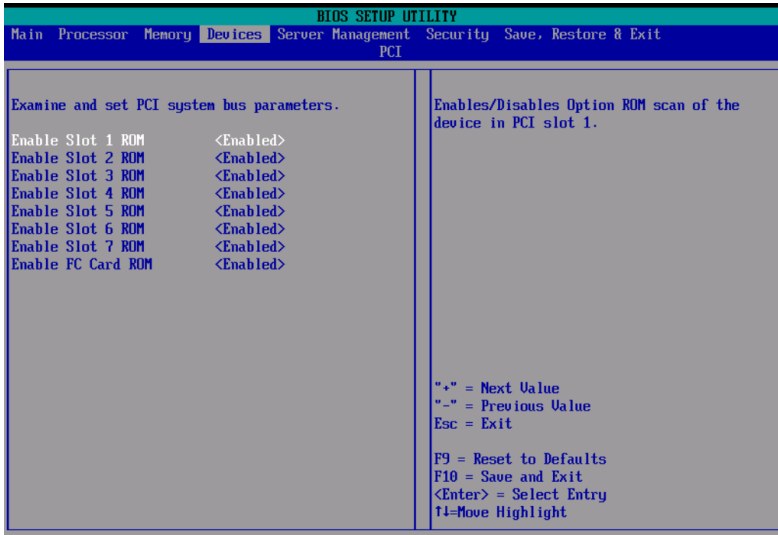
The Serial submenu lets you define the parameter settings for the system's serial port.



Parameter	Description	Option
COM1 Enable	Enables or disables the onboard serial port (COM 1).	<b>Enabled</b> Disabled
Address	Set the base I/O address for the COM 1 port.	<b>3F8</b> 2F8 3E8 2E8
IRQ	Set the interrupt request line for the COM 1 port.	<b>4</b> 3

## PCI

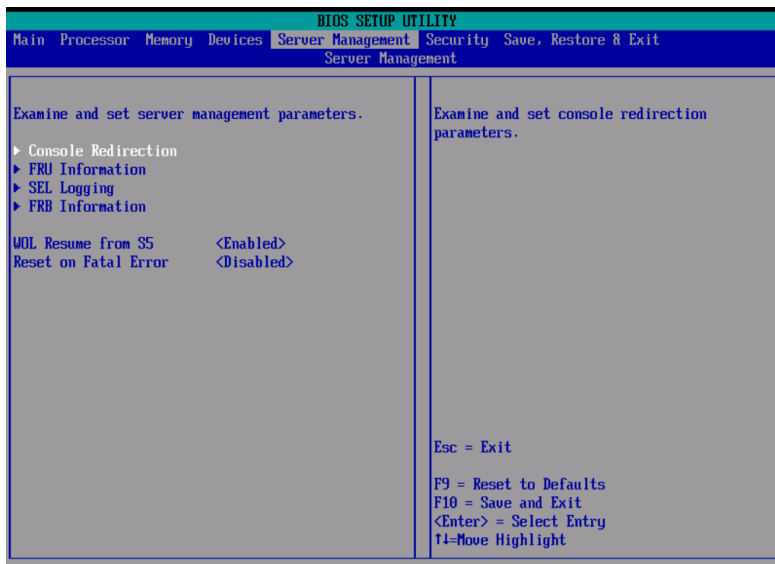
The PCI submenu lets you enable or disable the ROM scan of a device installed in the selected PCI slot. It also enables or disables posting of a 16-bit legacy ROM from the plug-in fiber channel card.



## Server Management

The Server Management Configuration submenu lets you specify the appropriate settings for the system's event handling function.

The system event log enables you to record and monitor events that occur in the system (eg., system temperature changes, fan stops, over-temperature, over-voltage, fan failures, etc.).



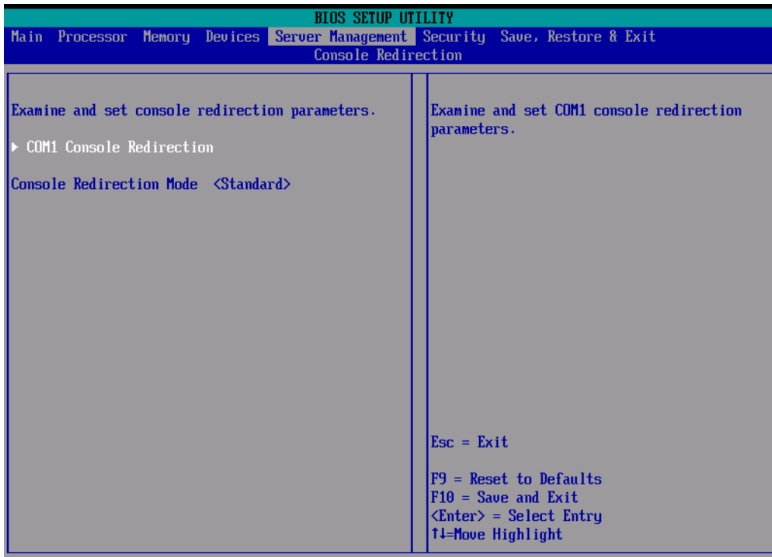
Parameter	Description	Option
Console Redirection	Press <b>Enter</b> to access the Console Redirection submenu.	
Flow Control	Press <b>Enter</b> to access the FRU Information submenu.	
SEL Logging	Press <b>Enter</b> to access the SEL Logging submenu.	
FRB Information	Press <b>Enter</b> to access the FRB Information submenu.	

Parameter	Description	Option
WOL Resume from S5	Allows the system to be switched on by means of network signals.	<b>Enabled</b> Disabled
Reset on Fatal Error	Enables system reboot if a fatal error occurs.	Disabled <b>Enabled</b>

## Console Redirection

The Console Redirection submenu lets you examine and set the COM1 console redirection parameters for server management tasks over the serial port.

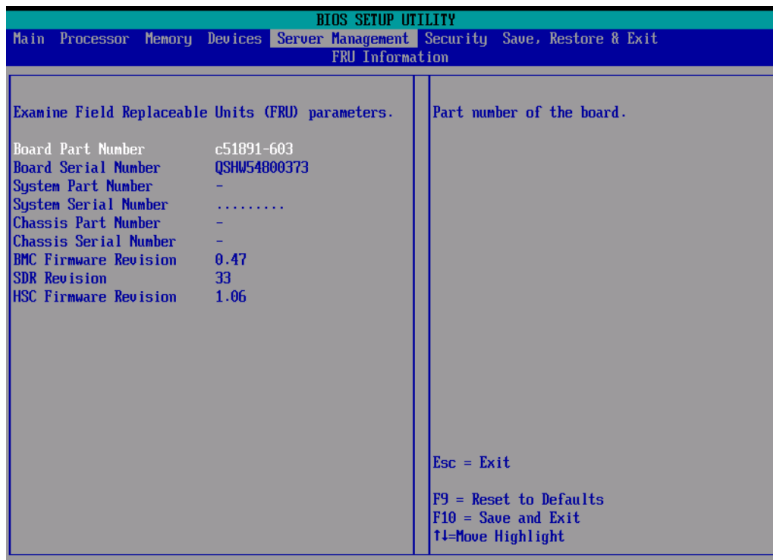
Press **Enter** to access the COM1 Console Redirection submenu.





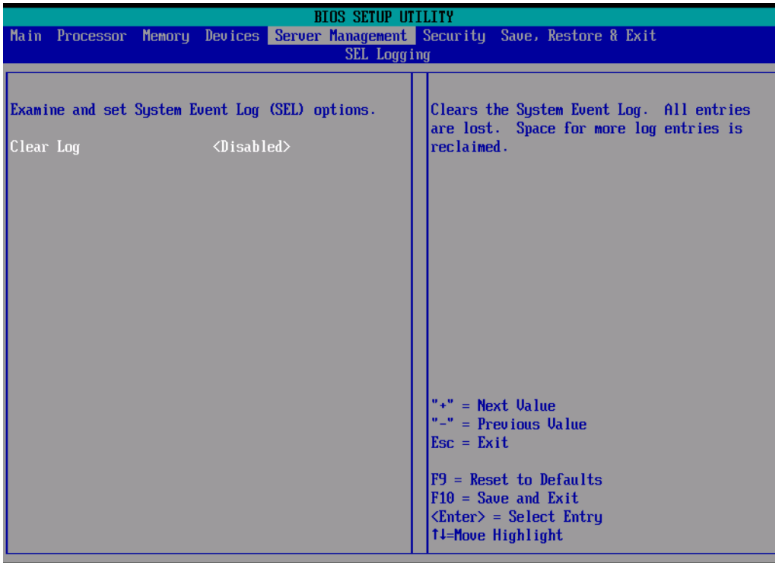
## FRU Information

The FRU Information submenu lets you view the field replaceable unit parameters.



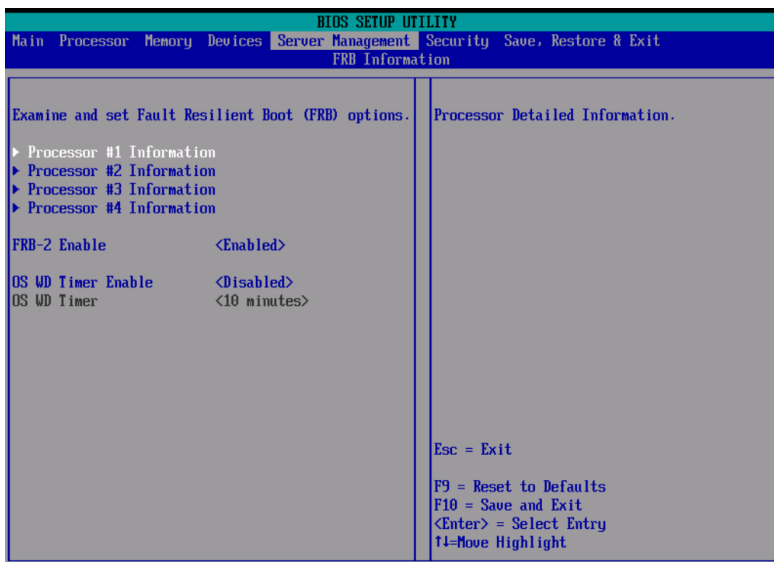
## SEL Logging

The SEL Logging submenu lets you examine and set the system event log options. To clear the system event log, enable the Clear Log option. The option executes as soon as Save, Restore & Exit is performed, then resets to Disabled.



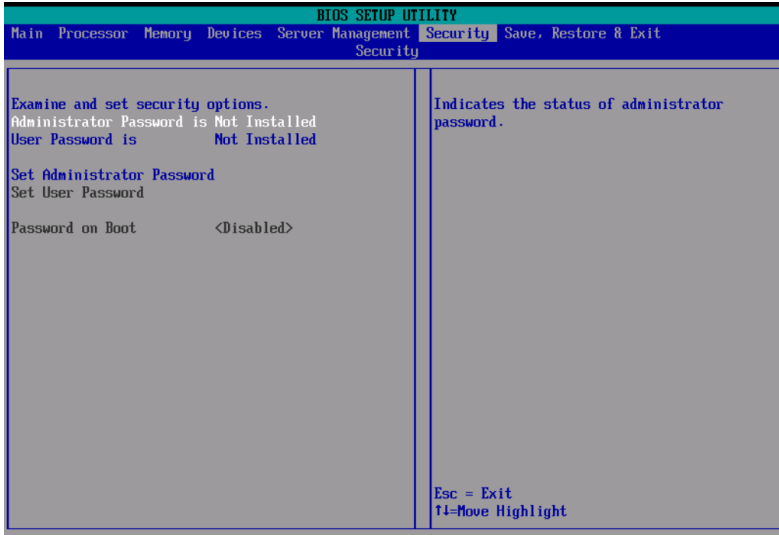
## FRB Information

The FRB Information submenu lets you examine and set the fault resilient boot options.



## Security

The Security menu allows you to safeguard and protect the system from unauthorized use by setting up access passwords.



Parameter	Description	Option
Administrator Password	Prevents unauthorized access to the BIOS setup utility.	<b>Not Installed</b> Installed
User Password	Secures the system against unauthorized use. Once you set this password, you have to type it whenever you boot the system. User password is available only when an Administrator password is set.	<b>Not Installed</b> Installed
Set Administrator Password	Press <b>Enter</b> to change the Administrator password.	
Set User Password	Press <b>Enter</b> to change the User password.	
Password on Boot	Select Enabled to activate security check during POST.	<b>Disabled</b> Enabled

## To set a Administrator/User password

- 1 Use the up/down keys to highlight a password parameter (Set Administrator Password or Set User Password) then press **Enter**.  
A password box will appear.
- 2 Type a password then press **Enter**.  
The password may consist of up to seven alphanumeric characters (A-Z, a-z, 0-9).
- 3 Retype the password to verify the first entry then press **Enter** again.  
After setting the password, the system automatically sets the chosen password parameter to **Installed**.

## To change the Administrator/User password

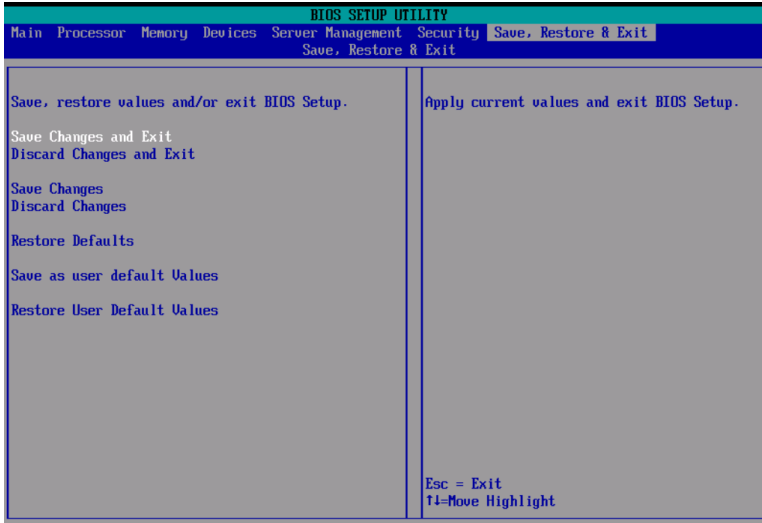
- 1 Use the up/down keys to highlight either change password parameters (Change Administrator Password or Change User Password) then press **Enter**.
- 2 Type the original password then press **Enter**.
- 3 Type a new password then press **Enter**.
- 4 Retype the password to verify the first entry then press **Enter** again.

## To remove the User password

- 1 Use the up/down keys to highlight the Clear User Password parameter then press **Enter**.
- 2 Enter the current password then press **Enter**.
- 3 Press **Enter** twice without entering anything in the new and confirm password fields.  
After doing this, the system automatically sets the User password parameter to **Not Installed**.

## Save, Restore & Exit

The Save, Restore & Exit menu displays the various options to quit from the BIOS setup. Highlight any of the exit options then press **Enter**.



Parameter	Description
Save Changes and Exit	Saves changes made and close the BIOS setup.
Discard Changes and Exit	Discards changes made and close the BIOS setup.
Save Changes	Saves changes made in the BIOS setup.
Discard Changes	Discards all changes made in the BIOS setup.
Restore Defaults	Loads the default settings for all BIOS setup parameters. Setup defaults are quite demanding in terms of resources consumption. If you are using low-speed memory chips or other kinds of low-performance components and you choose to load these settings, the system might not function properly.
Save as user default Values	Saves current values to be restored later.
Restore User Default Values	Restores previously saved user default values.

# Upgrading the BIOS

The upgrade utility allows you to upgrade the BIOS in the flash memory. To prepare to upgrade the BIOS, you need to record the current BIOS settings and download the BIOS image file to a temporary folder on your hard drive or a USB flash memory device.

## Recording the current BIOS settings

- 1 Run BIOS setup. See “Entering BIOS setup” on page 96.
- 2 Write down the current settings in the BIOS setup utility.

## Downloading the BIOS image file

Download the image file to a temporary folder on your hard drive or a USB flash memory device.



.....

**Note:** Review the instructions and release notes that are provided in the Readme file distributed with the BIOS image file before attempting a BIOS upgrade. The release notes contain critical information regarding jumper settings, specific fixes, or other information to complete the upgrade.

To upgrade the BIOS:

Follow the instructions in the Readme file that came with the BIOS upgrade. When the update completes, remove the bootable media from which you performed the upgrade.



.....

**Note:** Do not power down the system during the BIOS update process. The system will reset automatically when the BIOS update process is completed. You may encounter a CMOS checksum error or other problem after reboot. If this happens, shut down the system and boot it again. CMOS checksum errors require that you enter Setup, check your settings, save your settings, and exit Setup.





# 5 Troubleshooting

This chapter provides possible solutions for specific problems. If you cannot correct the problem, contact your local Acer representative or authorized dealer for assistance.

## Troubleshooting

This chapter helps you identify and solve problems that might occur while you are using the system.

For any issue, first ensure that you are using the latest firmware and files. In addition to the server firmware and files, make sure to update any drivers used for components you have installed in your system, such as video drivers, network drivers and SCSI drivers.

If you are unable to resolve your server problems on your own, contact your dealer or local Acer representative for assistance.

### Resetting the system

Before going through in-depth troubleshooting, attempt first to perform reset the system using one of the methods below.

To do this	Press
Soft boot reset to clear the system memory and reload the operating system.	Ctrl+Alt+Del
Cold boot reset. Turn the system power off and then on. This clears system memory, restarts POST, reloads the operating system and halts power to all peripherals.	Power off/on

### Problems following initial system installation

Problems that occur at initial system startup are usually caused by an incorrect installation or configuration. Hardware failure is a less frequent cause. If the problem you are experiencing is with a specific software application, see "There is problem with the application software" on page 137.

## First steps checklist

- DC power available at the wall outlet?
- Are the power supplies plugged in? Check the DC cable(s) on the back of the chassis and at the DC source.
- Are all cables correctly connected and secured?
- Is the processor fully seated in the socket on the mainboard?
- Are all standoffs in the proper location and not touching any components, causing a potential short?
- Are all expansion boards fully seated in their slots on the mainboard?
- Are all jumper settings on the mainboard correct?
- Are all jumper and switch settings on expansion boards and peripheral devices correct? If applicable, ensure that there are no conflicts - for example, two expansion boards sharing the same interrupt.
- Are all peripheral devices installed correctly?
- If the system has a hard disk drive, is it properly formatted or configured?
- Are all device drivers properly installed?
- Are the configuration settings made in BIOS setup correct?
- Is the operating system properly loaded? Refer to the operating system documentation.
- Did you press the system power button on the front panel to turn the server on (power indicator should be lit)?
- Is the system power cord properly connected to the system and plugged into an outlet for 200-240 V?
- Are all integrated components from the tested components lists? Check the tested memory, and chassis lists, as well as the supported hardware and operating system list.

## Hardware diagnostic testing

This section provides a more detailed approach to identifying a hardware problem and locating its source.



-----

**Caution!** Before disconnecting any peripheral cables from the system, turn off the system and any external peripheral devices. Failure to do so can cause permanent damage to the system and/or the peripheral devices.

- 1 Turn off the system and all external peripheral devices. Disconnect each of device from the system, except for the keyboard and the video monitor.
- 2 Make sure the system power cord is plugged into a properly grounded DC outlet.
- 3 Make sure your video display monitor and keyboard are correctly connected to the system. Turn on the video monitor. Set its brightness and contrast controls to at least two thirds of their maximum ranges (see the documentation supplied with your video display monitor).
- 4 If the operating system normally loads from the hard disk drive, make sure there is no disc in the optical drive.
- 5 If the power indicator does light, attempt to boot from a disc.
- 6 Turn on the system. If the power indicator does not light, see "Power indicator does not light" on page 132.

## Verifying proper operation of key system lights

As POST determines the system configuration, it tests for the presence of each mass storage device installed in the system. As each device is checked, its activity light should turn on briefly. Check if the HDD activity indicator lights briefly? If not, see "HDD activity indicator does not light." on page 133.

## Confirming loading of the OS

Once the system boots up, the operating system prompt appears on the screen. The prompt varies according to the operating system. If the operating system prompt does not appear, see "No Characters Appear on Screen" on page 137.

## Specific problems and corrective actions

The following contains specific problems that may arise during the use of your server. Possible solutions are listed for each problem.

Power indicator does not light.

Do the following:

- Make sure the power button on the front panel is turned on.
- Make sure the power cable is connected correctly.
- Make sure that the wall outlet has power. Test it by plugging another device.
- Remove all non-hot-plug expansion cards and see if the system boots. If successful, add the cards back in one at a time with a reboot between each addition.
- Make sure the memory board and memory modules comply with the system requirements.
- Make sure the memory modules have been populated according to the system requirements.
- Remove and reseal the memory board.
- Remove and reseal the memory modules.
- Make sure the CPU complies with the system requirements.
- Make sure the CPU is populated according to the system requirements.
- Remove and reseal the CPU.
- Make sure the chassis standoffs are installed only below mounting holes. Misplaced standoffs may have contact to the pins on the bottom of the mainboard and cause a short.
- Make sure the VRMs are plugged in and the pins are not bent.

Server powers on but turns off often with fault light

Do the following:

- Make sure the VRMs are plugged in and the pins are not bent.
- Make sure the memory boards are properly seated.
- Make sure the CPU is properly seated.

Server boot does not complete POST

Do the following:

- Make sure the VRMs are plugged in and the pins are not bent.
- Make sure the CPU is properly seated.
- Check the BIOS release notes to ensure the BIOS installed on the platform supports the stepping and the family of processors currently installed.
- Make sure the memory boards are populated according to system requirements.

Server does not recognize all of the processors installed

Do the following:

- Make sure the VRMs are plugged in and the pins are not bent.
- Make sure the CPU is properly seated.

HDD activity indicator does not light.

Do the following:

- Make sure the drive is not disabled in the BIOS setup utility.
- Make sure the drive's power and data cables are connected correctly.
- Make sure the drive is compatible.
- Make sure you have not exceeded the power budget for the server.
- If using SCSI drives, make sure that each SCSI ID number is unique on the SCSI bus. See your drive documentation for details on setting the SCSI ID for your drives.
- If using a RAID configuration with SCSI drives, make sure the RAID card is installed correctly.

If you have installed one or more hard drives in the system, do the following:

- Make sure the power and signal cables are connected correctly.

- If using SCSI drives, check that relevant switches and jumpers on the hard drive and backplane board are set correctly.

ODD (Optical disk drive) activity indicator does not light.

Do the following:

- Make sure the power and signal cables are properly installed.
- Check that relevant switches and jumpers on the drive are set correctly.
- Check that drive is properly configured.
- Check that onboard IDE controller is enabled in the BIOS setup.

ODD tray cannot be ejected.

- Insert the tip of a paperclip into the small hole on the ODD drive. Slowly pull the tray out from the drive until the tray is fully extended then remove the disc.

ODD drive cannot read a disc.

Do the following:

- Make sure you are using the correct type of disc.
- Make sure the disc is properly seated in the drive.
- Make sure the disc is unscratched.
- Make sure all cables are connected to the ODD.

Hard drives are not recognized.

- Make sure the drive is not disabled in the BIOS setup.
- Make sure the drive is connected correctly and the power cable is plugged to the power supply.
- Make sure the drive is compatible.
- Make sure that you have not exceeded the power budget for the server.



- If using SCSI drives, verify that each SCSI ID numbers is unique on the SCSI bus. Refer to the drive documentation for details on setting the SCSI ID for your drives.
- If using IDE drives, verify that the master/slave settings are set correctly. Refer to the drive documentation for details on setting the master/slave settings.
- If using RAID configuration with SSCSI drives, make sure the RAID card is installed correctly.

Bootable CD drive is not detected.

Make sure the Boot settings in the BIOS setup utility is configured to allow the CD drive to be the first bootable device.

New memory modules installed are not detected.

Do the following:

- Make sure the memory modules are properly seated on the memory board's DIMM slots.
- Make sure the memory modules comply with the system requirements.
- Make sure the memory modules have been populated according to the system requirements.

External device connected to a USB connector does not work.

Do the following:

- Reduce the number of external devices connected to a USB hub.
- Refer to the documentation that came with the device.

Cannot connect to a server

- Make sure the network cable is securely attached to the correct connector at the system rear panel.
- Try a different network cable.

- Make sure you are using the correct and the current drivers.
- Make sure the driver is loaded and the protocols are bound.

No video but LED on the front panel indicates system is in reset mode

- Make sure the VRMs are plugged in and the pins are not bent.
- Replace the failed VRM.

## Problems with the network

Network status indicator does not light.

Do the following:

- Check the cabling and network equipment to make sure that all cables are properly connected.
- Reinstall the network drivers.
- Try another port or hub on the switch.

Diagnostics pass but the connection fails.

- Make sure the network cable is securely attached.
- Make sure you specify the correct frame type in the NET.CFG file.

The controller stopped working when an adapter was installed.

- Make sure the cable is connected to the port from the onboard network controller.
- Make sure the other adapter supports shared interrupts and your OS supports shared interrupts.
- Try reseating the adapter.

The adapter stopped working without apparent cause.

- Try reseating the adapter first, then try a different slot if necessary.

- The network files driver may be corrupt or deleted. Delete and reinstall the drivers.
- Run the diagnostics.

Network activity indicator does not light.

Do the following:

- Make sure the correct network drivers are loaded on the system.
- Network might be idle. Try accessing the server.

Server hangs when the drivers are loaded.

Change the PCI interrupt settings.

There is problem with the application software.

Do the following:

- Verify that the software is properly configured for the system. Refer to the software installation and operation documentation for instructions on setting up and using the software.
- Try a different version of the software to see if the problem is with the copy you are using.
- Make sure all cables are properly connected.
- If other software runs correctly on the system, contact your vendor about the defective software.

No characters appear on the screen.

Check the following:

- Is the keyboard functioning? Test it by turning the "Num Lock" function on and off to make sure the Num Lock light is functioning.
- Is the video monitor plugged in and turned on? If you are using a switch box, is it switched to the correct system?

- Are the brightness and contrast controls on the video monitor properly adjusted?
- Is the video monitor signal cable properly installed?
- Does this video monitor work correctly if plugged into a different system?
- Is the onboard video controller enabled in the BIOS setup?
- Remove all expansion cards and see if the system boots. If successful, add the cards back in one at a time with a reboot between each addition.
- Make sure the memory modules comply with the system requirements.
- Make sure the memory modules have been populated according to the system requirements.
- Remove and reseal the memory boards.
- Remove and reseal the memory modules.
- Make sure the CPU complies with the system requirements.
- Make sure the CPU is populated according to the system requirements.

If you are using a video controller board, do the following:

- 1 Verify that the video works using the onboard video controller.
- 2 Verify that the video controller board is fully seated in the mainboard connector.
- 3 Reboot the system for changes to take effect.
- 4 If there are still no characters on the screen after you reboot the system and POST emits a beep code, write down the beep code you hear. This information is useful for your service representative.
- 5 If you do not receive a beep code and characters do not appear, the video display monitor or video controller may have failed. Contact your service representative or authorized dealer for help.

Characters are distorted or incorrect.

Check the following:

- Are the brightness and contrast controls properly adjusted on the video monitor? Refer to the documentation that came with the video monitor.

- Are the video monitor's signal and power cables properly connected.
- Is the video monitor working correctly when plugged into a different system?

System cooling fan do not rotate properly.

If the system cooling fan is not operating properly, it is an indication of possible system component failure.

Check the following:

- Is the power indicator lit? If not, see "Power indicator does not light." on page 132 .
- Are any other front panel LEDs lit?
- Have any of the fan motors stopped? Use the server management subsystem to check the fan status.
- Have your fans speeded up in response to an overheating situation?
- Have your fans speeded up in response to a fan that has failed?
- Is the fan's power connector properly connected to the mainboard?
- Is the front panel board cable connected to both the mainboard's front panel board connector?
- Are the power supply cables properly connected to the mainboard?
- Are there any shorted wires caused by pinched cables or have power connector plugs been forced into power connector sockets the wrong way?



# Appendix A: Acer Altos R910 rack installation guide

This appendix shows you how to set up the Altos R910 server in a rack mount configuration.



# Setting up the system rack



**Important!** Observe the electrostatic discharge (ESD) precautions indicated on page 33 when performing the following procedures. Do not attempt the procedures described in the following sections unless you are a qualified technician.

## Equipment rack precautions

Follow the rack manufacturer's safety and installation instructions for proper rack installation.

The following additional rack safety installation measures should be considered:

- **Anchor the equipment rack**

The equipment rack must be anchored to an unmovable suitable support to prevent the rack from falling over when one or more systems are fully extended out of the rack assembly. You must also consider the weight of any other devices installed in the rack assembly. The equipment rack must be installed according to the manufacturer's instructions.
- **Main DC power disconnect**

You are responsible for installing an DC power disconnect for the entire rack unit. This main disconnect must be readily accessible, and it must be labeled as controlling power to the entire unit, not just to the system(s).
- **Earth ground the rack installation**

To avoid the potential for an electrical shock hazard, the rack assembly itself must be suitably earth grounded, according to your local regional electrical codes. This typically will require the rack to have its own separate earth ground. We recommend you consult your local approved electrician.

- Elevated operating ambient temperature

The maximum operating temperature of the system is 35 °C (95°F). Careful consideration should be given to installing the system in an environment compatible with the 35 °C (95°F) maximum ambient temperature.

- Reduced airflow

The amount of airflow required for the safe operation of the equipment should not be compromised when installing the system in a rack.

- Mechanical loading

Exercise care when mounting the system in a rack to avoid any accidents.

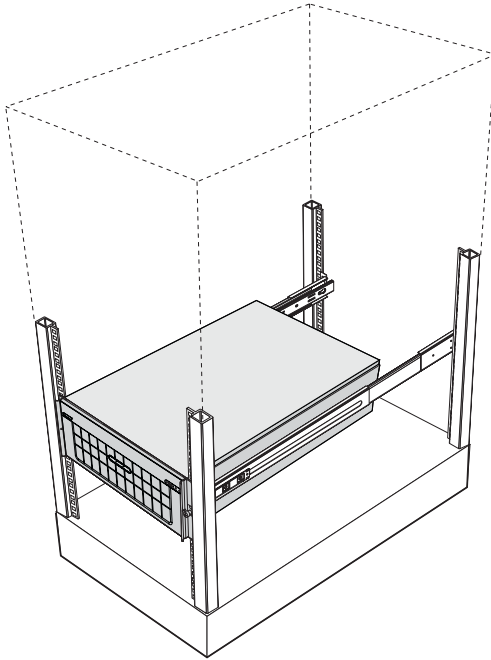
- Circuit overloading

Appropriate consideration should be given when connecting the supply circuit to the system to avoid any circuit overload. The system name plate rating should be used when addressing concerns about circuit overload.

## System rack installation

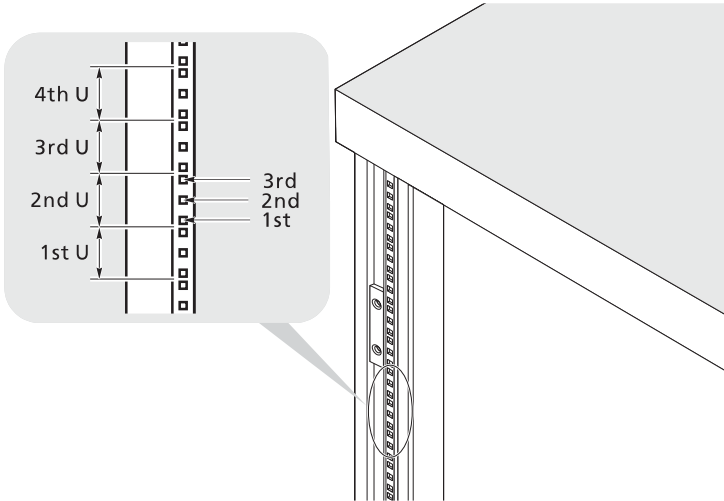
The Altos R910 server system should be mounted into a rack cabinet. A rack rail and CMA (cable management arm) kit is available for installing system to a rack cabinet.

The figure below shows the Altos R910 server in a rack-mount position.



## Vertical mounting hole pattern

The four vertical rails of the system rack contain mounting holes arranged in a manner shown in the figure below:



The system occupies 4U in the rack. Count the U positions and hole numbers from the bottom up.

The distance from the center of two holes with closer spacing to the center of the next pair is equivalent to 1U.



**Note:** The unit of measurement used in this guide is "U" (1U = 1.75 inches or 44.45 mm). The total sum of the heights of all components in the rack measured in "U" cannot exceed the height of the rack. For more information, refer to the documentation that came with the system rack.

When installing components, you must start your measurement from the center of the two holes with closer spacing. Otherwise, the screw holes on the component may not match those on the rack.

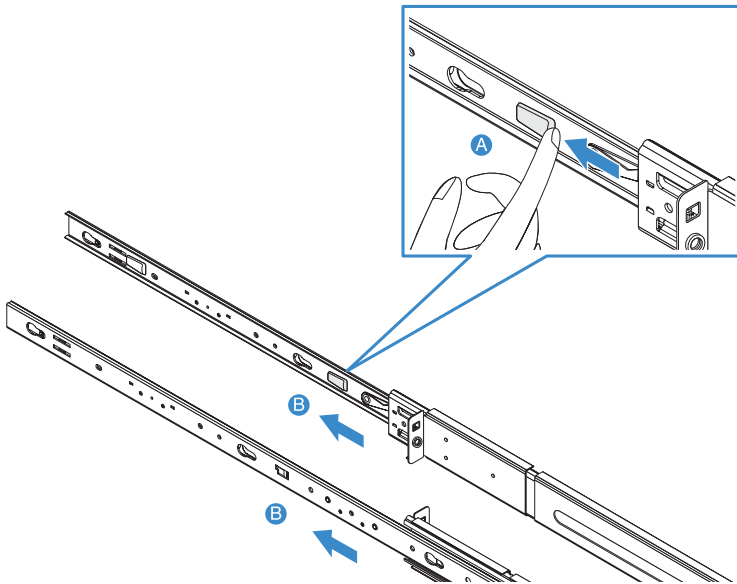
# Installing the system into the rack



**Caution!** To minimize the chances of injuries, make sure that two or more people help in installing the server.

To install the system into a four-post rack

- 1 Remove the inner rails from the mounting rails.
  - (1) Extend the inner rail from the mounting rail until the rail release latch clicks.
  - (2) Depress the release latch **(A)** and slip the inner rail out **(B)**.



- (3) Do the same thing to the other mounting rail.



-----

**Caution!** To avoid personal injury, care should be taken when pressing the inner rail release latches and sliding the component into the rack.

- 2 Attach the inner rails to both sides of the server.

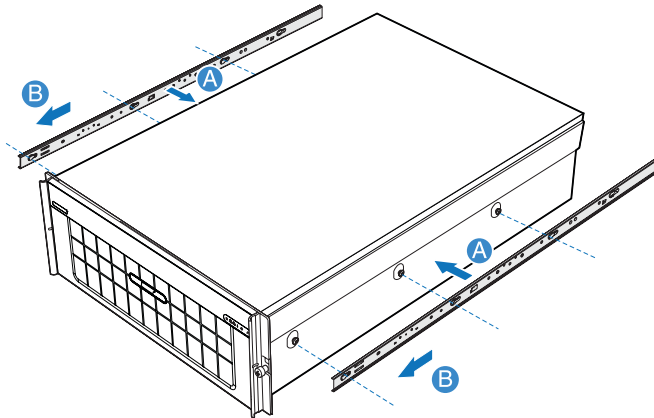
Please use screws that came with the rack-mount kit when attaching the inner rails to both sides of the server. If your system already has screws attached, please remove them.



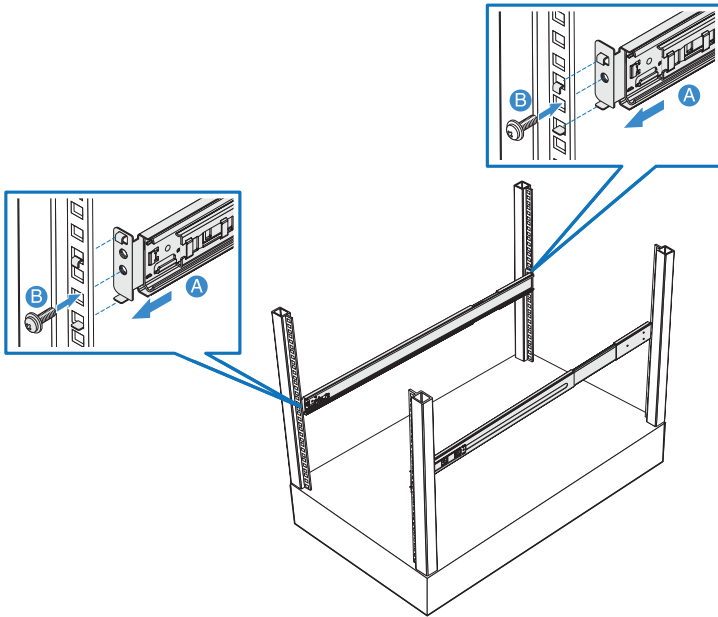
-----

**Note:** Using screws other than those supplied in this rack-mount kit to attach the rails will void the warranty, Acer cannot be held responsible for any damage for incorrect installation.

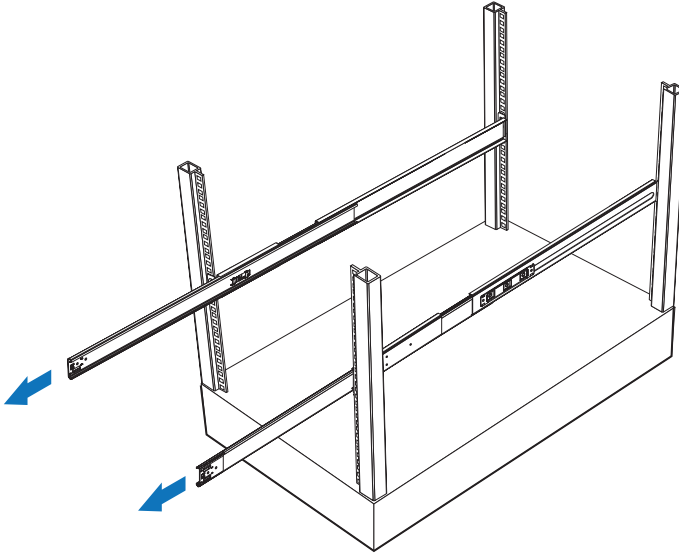
- (1) Align the screw holes of the inner rail to the server screws **(A)**.  
(2) Slide the rails to the left until the rails lock into place with an audible click **(B)**.



- 3 Install the mounting rails to the rack posts.
- (1) Determine the vertical position in the rack. Refer to "Vertical mounting hole pattern" on page 146 for more information.
  - (2) Align and insert the mounting rail into the rack posts' mounting holes **(A)**.
  - (3) Make certain the proper mounting holes on the rack post are selected.
  - (4) Use two metal screws to secure the front and rear mounting rail to the rack **(B)**.
  - (5) Do the same thing to the other mounting rail.



- (6) Fully extend the mounting rails on the rack.



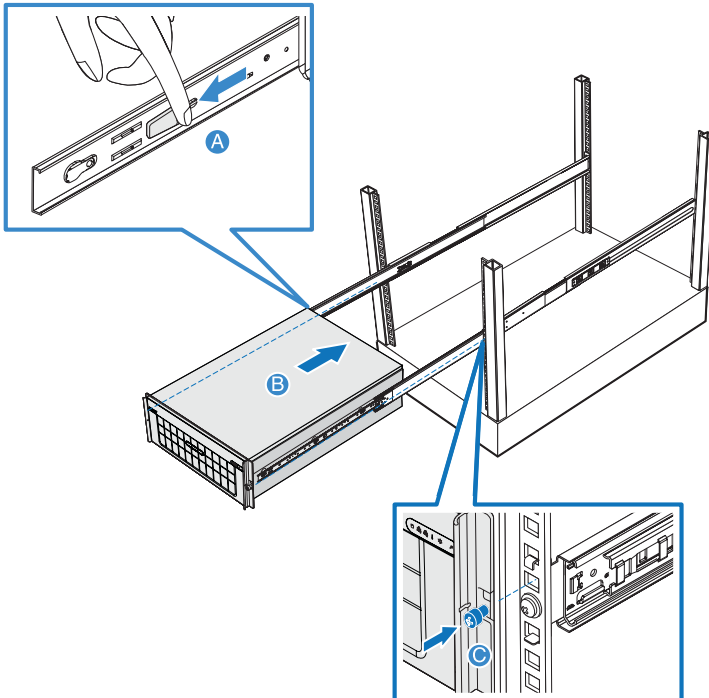


#### 4 Install the server into the rack.

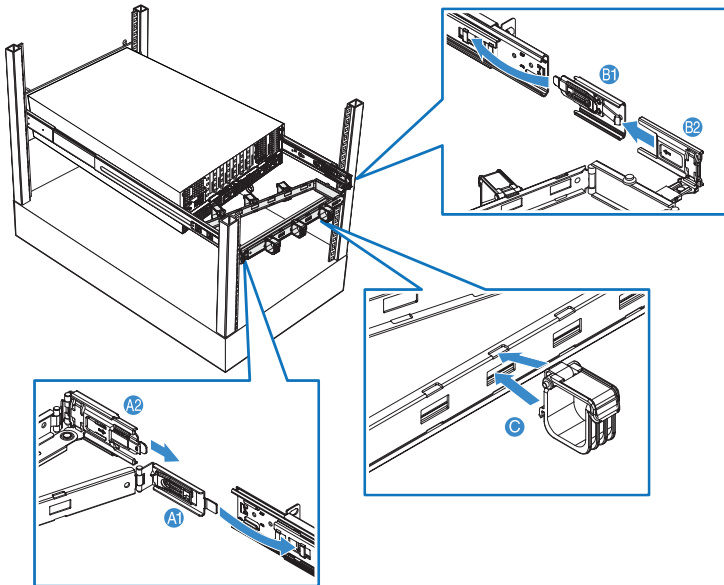


**Caution!** To avoid personal injury, care should be taken when pressing the inner rail release latches and sliding the component into the rack.

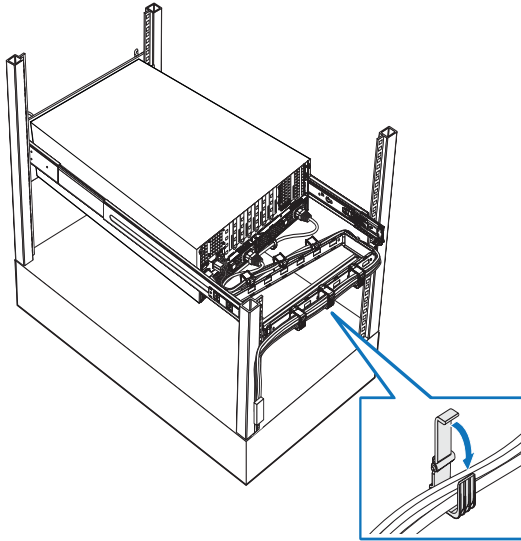
- (1) Carefully align the inner rails attached to the server with the fully extended mounting rails on the rack.
- (2) Press the release latch on both sides of the server **(A)**.
- (3) Insert the inner rails into the mounting rails, then push the server into the rack until you hear a click sound **(B)**.
- (4) Secure the server to the rack using the two front panel thumbscrews **(C)**.



- 5 Attach the CMA (cable management arm) to the rear of the server. The CMA allows you to tie-wrap all cables to and from the system. As you slide the system in and out of the rack, the CMA collapses and extends, keeping the cables untangled and attached to the system.
- (1) Insert the smaller CMA extension into the rear of the left inner rail (**A1**).
  - (2) Insert the larger CMA extension into the rear of left mounting rail (**A2**).
  - (3) Insert the CMA extension connector into the rear of the right mounting rail (**B1**).
  - (4) Insert the CMA arm connector into the blue plastic cutout on the CMA extension connector (**B2**).
  - (5) Attach the cable clips into the appropriate mounting holes in the CMA (**C**).



- (6) Connect the power, peripheral and networking cables into their appropriate ports.  
Refer to "Connecting peripherals" on page 26 for detailed instructions.
- (7) Route all cables through the cable clips.





# Appendix B: Memory configuration options

This chapter provides details on how to configure the system memory boards in either a redundant or non-redundant configuration. Recommended memory board and DIMM installation order and DDR2 DIMM population order tables are also included.

# Introduction

The system supports installation of up to four memory boards to the mainboard. Memory boards connect to the mainboard through the x16 PCI Express slots or memory board slots A, B, C, and D (refer to “Mainboard” on page 17 for the location of the memory board slot). The memory board is equipped with four DIMM slots that support two DDR2 channels, with two DIMMs installed per channel (DIMM 1A or 1B or DIMM 2A or 2B). Each DIMM slot supports 512 MB, 1 GB, 2 GB or 4 GB DDR2-400 MHz (PC2-3200) registered ECC memory modules.



**Important:** DDR2 DIMM modules on each memory board must be installed in pairs. Each pair is referred to as a bank. A bank may consist of one rank (a pair of single-channel DIMMs) or two ranks (a pair of dual-channel DIMMs).

When using dual-channel memory mode, use the same type and size DDR2 DIMM modules and follow the “DIMM module population order” on page 159 to ensure that you get dual-channel memory performance.

The memory boards can be configured in a redundant or non-redundant configuration. Memory boards configured using RAID or mirroring are in redundant configuration. If a memory board that is configured in a redundant configuration has a DIMM or memory board fault, the memory board and/or DIMM containing the fault can be removed and replaced while the system is powered on (See page 51 for detailed instructions on how to hot-remove and hot-replace memory boards). Memory boards that are configured in a non-redundant configuration (including memory boards configured with spare memory) must not be removed while the system is powered on (Refer to page 69 for detailed instructions on how to remove and replace memory boards.).

# Installation and population order

## Memory board installation order

The table below lists the suggested memory board installation order.

Memory board slot	Installation order		
	Normal configuration	Memory mirroring configuration	Memory RAID configuration
A	1	Set 1	<b>Note:</b> Requires installation of four memory boards with equal memory capacity.
B	2		
C	3	Set 2	
D	4		

## DIMM module installation order

The table below lists the suggested DIMM module installation for a memory board:

Bank 1		Bank 2	
DIMM 1A	DIMM 1B	DIMM 2A	DIMM 2B
512 MB	512 MB		
1 GB	1 GB		
2 GB	2 GB		
4 GB	4 GB		
512 MB	512 MB	512 MB	512 MB
1 GB	1 GB	1 GB	1 GB
2 GB	2 GB	2 GB	2 GB
4 GB	4 GB	4 GB	4 GB



## DIMM module population order

The tables below list the suggested DDR2 DIMM module population for normal configuration.

### Population with one memory board

Memory board A		Memory board B		Memory board C		Memory board D		Total Memory
1A/1B	2A/2B	1A/1B	2A/2B	1A/1B	2A/2B	1A/1B	2A/2B	
2 x 512 MB								1 GB
2 x 512 MB		2 x 512 MB						2 GB
2 x 1 GB								2 GB
2 x 1 GB		2 x 1 GB						4 GB
2 x 2 GB								4 GB
2 x 2 GB		2 x 2 GB						8 GB
2 x 4 GB								8 GB
2 x 4 GB		2 x 4 GB						16 GB

### Population with two memory boards

Memory board A		Memory board B		Memory board C		Memory board D		Total Memory
1A/1B	2A/2B	1A/1B	2A/2B	1A/1B	2A/2B	1A/1B	2A/2B	
2 x 512 MB		2 x 512 MB						2 GB
2 x 512 MB		2 x 512 MB		2 x 512 MB		2 x 512 MB		4 GB
2 x 1 GB		2 x 1 GB						4 GB
2 x 1 GB		2 x 1 GB		2 x 1 GB		2 x 1 GB		8 GB
2 x 2 GB		2 x 2 GB						8 GB
2 x 2 GB		2 x 2 GB		2 x 2 GB		2 x 2 GB		16 GB
2 x 4 GB		2 x 4 GB						16 GB
2 x 4 GB		2 x 4 GB		2 x 4 GB		2 x 4 GB		32 GB

### Population with four memory boards

Memory board A		Memory board B		Memory board C		Memory board D		Total Memory
1A/1B	2A/2B	1A/1B	2A/2B	1A/1B	2A/2B	1A/1B	2A/2B	
2 x 512 MB		2 x 512 MB		2 x 512 MB		2 x 512 MB		4 GB
2 x 512 MB		2 x 512 MB		2 x 512 MB		2 x 512 MB		8 GB
2 x 1 GB		2 x 1 GB		2 x 1 GB		2 x 1 GB		8 GB
2 x 1 GB		2 x 1 GB		2 x 1 GB		2 x 1 GB		16 GB
2 x 2 GB		2 x 2 GB		2 x 2 GB		2 x 2 GB		16 GB
2 x 2 GB		2 x 2 GB		2 x 2 GB		2 x 2 GB		32 GB
2 x 4 GB		2 x 4 GB		2 x 4 GB		2 x 4 GB		32 GB
2 x 4 GB		2 x 4 GB		2 x 4 GB		2 x 4 GB		64 GB

## DIMM population with sparing

The tables below list the suggested DDR2 DIMM module population for memory sparing configuration.

### Population with one memory board

Memory board A		Memory board B		Memory board C		Memory board D		Total Memory	
1A/1B	2A/2B	1A/1B	2A/2B	1A/1B	2A/2B	1A/1B	2A/2B	Physical memory	Detected by OS
2 x 512 MB (Sparing)	2 x 512 MB							2 GB	1 GB
2 x 1 GB (Sparing)	2 x 1 GB							4 GB	2 GB
2 x 2 GB (Sparing)	2 x 2 GB							8 GB	4 GB
2 x 4 GB (Sparing)*								8 GB	4 GB
2 x 4 GB (Sparing)*	2 x 4 GB							16 GB	12 GB

\* Only 4GB of memory installed in DIMM 1A/1B slots will be reserved as spare DIMMs, one rank from each dual-rank DIMM.

### Population with two memory boards

Memory board A		Memory board B		Memory board C		Memory board D		Total Memory	
1A/1B	2A/2B	1A/1B	2A/2B	1A/1B	2A/2B	1A/1B	2A/2B	Physical memory	Detected by OS
2 x 512 MB (Sparing)	2 x 512 MB	2 x 512 MB (Sparing)	2 x 512 MB					4 GB	2 GB
2 x 1 GB (Sparing)	2 x 1 GB	2 x 1 GB (Sparing)	2 x 1 GB					8 GB	4 GB
2 x 2 GB (Sparing)	2 x 2 GB	2 x 2 GB (Sparing)	2 x 2 GB					16 GB	8 GB
2 x 4 GB (Sparing)*		2 x 4GB (Sparing)*	2 x 4 GB					16 GB	8 GB
2 x 4 GB (Sparing)*	2 x 4 GB	2 x 4GB (Sparing)*	2 x 4 GB					32 GB	24 GB

\* Only 4GB of memory installed in DIMM 1A/1B slots will be reserved as spare DIMMs, one rank from each dual-rank DIMM.

## Population with four memory boards

Memory board A		Memory board B		Memory board C		Memory board D		Total Memory	
1A/1B	2A/2B	1A/1B	2A/2B	1A/1B	2A/2B	1A/1B	2A/2B	Physical memory	Detected by OS
2 x 512 MB (Sparing)	2 x 512 MB	2 x 512 MB (Sparing)	2 x 512 MB	2 x 512 MB (Sparing)	2 x 512 MB	2 x 512 MB (Sparing)	2 x 512 MB	8 GB	4 GB
2 x 1 GB (Sparing)	2 x 1 GB	2 x 1 GB (Sparing)	2 x 1 GB	2 x 1 GB (Sparing)	2 x 1 GB	2 x 1 GB (Sparing)	2 x 1 GB	16 GB	8 GB
2 x 2 GB (Sparing)	2 x 2GB	2 x 2 GB (Sparing)	2 x 2GB	2 x 2 GB (Sparing)	2 x 2 GB	2 x 2 GB (Sparing)	2 x 2 GB	32 GB	16 GB
2 x 4 GB (Sparing)*		2 x 4 GB (Sparing)*		2 x 4 GB (Sparing)*		2 x 4 GB (Sparing)*		32 GB	16 GB
2 x 4 GB (Sparing)*	2 x 4 GB	2 x 4 GB (Sparing)*	2 x 4 GB	2 x 4 GB (Sparing)*	2 x 4 GB	2 x 4 GB (Sparing)*	2 x 4 GB	64 GB	32 GB

\* Only 4GB of memory installed in DIMM 1A/1B slots will be reserved as spare DIMMs, one rank from each dual-rank DIMM.

## DIMM population with mirroring

The tables below list the suggested DDR2 DIMM module population for memory mirroring configuration.

### Population with two memory boards

Memory board A		Memory board B		Memory board C		Memory board D		Total Memory	
1A/1B	2A/2B	1A/1B	2A/2B	1A/1B	2A/2B	1A/1B	2A/2B	Physical memory	Detected by OS
2 x 512 MB		2 x 512 MB (Mirror)						2 GB	1 GB
2 x 512 MB	2 x 512 MB	2 x 512 MB (Mirror)	2 x 512 MB (Mirror)					4 GB	2 GB
2 x 1 GB		2 x 1 GB (Mirror)						4 GB	2 GB
2 x 1 GB	2 x 1 GB	2 x 1 GB (Mirror)	2 x 1 GB (Mirror)					8 GB	4 GB
2 x 2 GB		2 x 2 GB (Mirror)						8 GB	4 GB
2 x 2 GB	2 x 2 GB	2 x 2 GB (Mirror)	2 x 2 GB (Mirror)					16 GB	8 GB
2 x 4 GB		2 x 4 GB (Mirror)						16 GB	8 GB
2 x 4 GB	2 x 4 GB	2 x 4 GB (Mirror)	2 x 4 GB (Mirror)					32 GB	16 GB

## Population with four memory boards

Memory board A		Memory board B		Memory board C		Memory board D		Total Memory	
1A/1B	2A/2B	1A/1B	2A/2B	1A/1B	2A/2B	1A/1B	2A/2B	Physical memory	Detected by OS
2 x 512 MB		2 x 512 MB (Mirror)		2 x 512 MB		2 x 512 MB (Mirror)		4 GB	2 GB
2 x 512 MB	2 x 512 MB	2 x 512 MB (Mirror)	2 x 512 MB (Mirror)	2 x 512 MB	2 x 512 MB	2 x 512 MB (Mirror)	2 x 512 MB (Mirror)	8 GB	4 GB
2 x 1 GB		2 x 1 GB (Mirror)		2 x 1 GB		2 x 1 GB (Mirror)		8 GB	4 GB
2 x 1 GB	2 x 1 GB	2 x 1 GB (Mirror)	2 x 1 GB (Mirror)	2 x 1 GB	2 x 1 GB	2 x 1 GB (Mirror)	2 x 1 GB (Mirror)	16 GB	8 GB
2 x 2 GB		2 x 2 GB (Mirror)		2 x 2 GB		2 x 2 GB (Mirror)		16 GB	8 GB
2 x 2 GB	2 x 2 GB	2 x 2 GB (Mirror)	2 x 2 GB (Mirror)	2 x 2 GB	2 x 2 GB	2 x 2 GB (Mirror)	2 x 2 GB (Mirror)	32 GB	16 GB
2 x 4 GB		2 x 4 GB (Mirror)		2 x 4 GB		2 x 4 GB (Mirror)		32 GB	16 GB
2 x 4 GB	2 x 4 GB	2 x 4 GB (Mirror)	2 x 4 GB (Mirror)	2 x 4 GB	2 x 4 GB	2 x 4 GB (Mirror)	2 x 4 GB (Mirror)	64 GB	32 GB

## DIMM population with RAID

## Population with four memory boards

Memory board A		Memory board B		Memory board C		Memory board D		Total Memory	
1A/1B	2A/2B	1A/1B	2A/2B	1A/1B	2A/2B	1A/1B	2A/2B	Physical memory	Detected by OS
2 x 512 MB		2 x 512 MB		2 x 512 MB		2 x 512 MB (Parity)		4 GB	3 GB
2 x 512 MB	2 x 512 MB	2 x 512 MB	2 x 512 MB	2 x 512 MB	2 x 512 MB	2 x 512 MB (Parity)	2 x 512 MB (Parity)	8 GB	6 GB
2 x 1 GB		2 x 1 GB		2 x 1 GB		2 x 1 GB (Parity)		8 GB	6 GB
2 x 1 GB	2 x 1 GB	2 x 1 GB	2 x 1 GB	2 x 1 GB	2 x 1 GB	2 x 1 GB (Parity)	2 x 1 GB (Parity)	16 GB	12 GB
2 x 2 GB		2 x 2 GB		2 x 2 GB		2 x 2 GB (Parity)		16 GB	12 GB
2 x 2 GB	2 x 2 GB	2 x 2 GB	2 x 2 GB	2 x 2 GB	2 x 2 GB	2 x 2 GB (Parity)	2 x 2 GB (Parity)	32 GB	24 GB
2 x 4 GB		2 x 4 GB		2 x 4 GB		2 x 4 GB (Parity)		32 GB	24 GB
2 x 4 GB	2 x 4 GB	2 x 4 GB	2 x 4 GB	2 x 4 GB	2 x 4 GB	2 x 4 GB (Parity)	2 x 4 GB (Parity)	64 GB	48 GB

# Memory modes

The server supports several memory features that allow flexibility in performance, redundancy, and ability to upgrade. The system BIOS can be configured as follows:

- Maximum compatibility
- Maximum performance
- Memory sparing
- Memory RAID
- Memory mirroring

Only one of these memory modes can be selected at one time and the BIOS defaults to maximum performance mode. For non-redundant modes, support is also included for memory sparing, where a portion of each memory board is reserved for failover.

The table below lists the memory hot-plug support under different memory modes.

<b>Memory Hot-plug Operation</b>	<b>Maximum Compatibility</b>	<b>Maximum Performance</b>	<b>Memory Mirroring</b>	<b>Memory RAID</b>
Hot-add	Supported		Supported	
Hot-replace			Supported	Supported
Hot-upgrade				Supported

Memory boards configured using RAID or mirroring are in redundant mode. If a memory board that is configured in a redundant mode has a DIMM or memory board fault, the memory board and/or DIMM containing the fault can be hot-removed or hot-replaced while the system is powered on.

Hot-replace means you can replace a memory board with another memory board of identical size. This operation is supported in memory RAID and memory mirroring modes.

Hot-add means you can add a memory board to a previously unoccupied slot. This requires OS support and is supported in maximum compatibility and memory mirroring modes.

Hot-upgrade means you can replace an existing memory board with a memory board that contains more memory capacity. This requires OS support and is supported by the memory RAID mode only.

## Maximum compatibility

Maximum compatibility provides the most flexibility with DIMMs and memory boards. With this configuration mode, you can hot-add memory boards and allocate ranks to serve as spare on each memory board. This memory mode is one-way interleaved and has the lowest performance among the supported configurations.

To configure memory to maximum compatibility:

- 1 Do any of the following:
  - Run BIOS setup. See “Entering BIOS setup” on page 96.
  - or -
  - a During system bootup, enter the **System Options Menu**. See “System options menu” on page 90.



- b Use the up and down arrow keys to select **BIOS Setup Utility**, then press **Enter**. The BIOS main menu displays on the monitor.
- 2 Use the up and down arrow keys to select the **Memory** menu, then press **Enter**. The Memory menu appears.
- 3 Use the up and down arrow keys to select **Configure Memory RAS and Performance**, then press **Enter**. The Configure Memory RAS and Performance menu appears.
- 4 Set the **Desired Memory Configuration** to either **Maximum Compatibility**.

- 5 Select **View Configuration Details**.

Make sure **Configuration Possible** indicates **Yes**. If the option indicates **No**, you may need to install more memory to meet the requirements of the selected configuration.

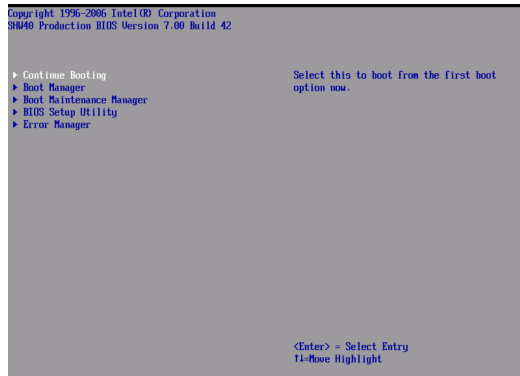
- 6 Press **F10** to save changes and exit.
- 7 Press **Y** to confirm. The server reboots to activate the changes.

## Maximum performance

Maximum performance is the default memory configuration and provides the best performance. With four memory boards installed, the BIOS configures memory as four-way interleaved, across all memory boards. With less than four memory boards installed, the BIOS attempts to configure two-way interleaving. If memory cannot be configured for two-way interleaving, the BIOS defaults to one-way interleaving. This memory mode allows sparing configuration but does not support any memory board hot-plug operations.

To configure memory to maximum performance:

- 1 Do either option below:
  - Run BIOS setup. See “Entering BIOS setup” on page 96.
  - or -
  - a During system bootup, enter the **System Options Menu**. See “System options menu” on page 90.



- b Use the up and down arrow keys to select **BIOS Setup Utility**, then press **Enter**. The BIOS main menu displays on the monitor.
- 2 Use the up and down arrow keys to select the **Memory** menu, then press **Enter**. The Memory menu appears.
- 3 Use the up and down arrow keys to select **Configure Memory RAS and Performance**, then press **Enter**. The Configure Memory RAS and Performance menu appears.



- 4 Set the **Desired Memory Configuration** to either **Max Performance**.
- 5 Select **View Configuration Details**.
  - Make sure **Configuration Possible** indicates **Yes**. If the option indicates **No**, you may need to install more memory to meet the requirements of the selected configuration.
- 6 Press **F10** to save changes and exit.
- 7 Press **Y** to confirm. The server reboots to activate the changes.

## Memory sparing

Sparing allows for memory to be set aside to replace memory under use when a DIMM's correctable error count has reached a specified threshold. Spared memory configurations do not provide redundant copies of memory and the system cannot continue to operate when an uncorrectable error occurs.

The DIMMs on each memory board must be installed in pairs. Each pair is referred to as a bank. A bank may consist of one rank (a pair of single-sided DIMMs) or two ranks (a pair of double-sided DIMMs). You can refer to "Installing DIMMs" on page 73 for instructions on how to install a DIMM on a memory board.

When the memory mode is set to maximum performance or maximum compatibility, the BIOS setup supports setting one rank aside to server as spare for each memory board. When the correctable error rate for a failing rank exceeds the error threshold for switching to spare, the contents of the failing rank are copied to the spare rank. At the completion of the copy, the failing rank is disabled and the spare rank is used in its place. The BIOS reports the failing rank with a SEL (system event log) event, updates the DIMM error LED on the memory board, and sends memory RAS (reliability, availability, and serviceability) commands to the BMC (baseboard management controller) to update the system memory state. The DIMMs with the failed rank are disabled on subsequent boots. The spare rank is no longer used for spare, but instead used as a system memory.

When the BIOS setup is configured for sparing, the largest rank is chosen to serve as the spare. This ensures that the contents of any failing rank fit on the spare rank. The amount of the available memory in the system is reduced by the size of the spare rank. If only one rank is available on a memory board, the system BIOS does not configure this rank as a spare.

The BIOS setup utility executes a memory test prior to configuring the memory in POST and when a memory board is inserted into the system during a memory hot-removal or hot-add operation.

To configure memory sparing:

- 1 Do either option below:
  - Run BIOS setup. See "Entering BIOS setup" on page 96.
  - or -

- a During system bootup, enter the **System Options Menu**. See “System options menu” on page 90.



- b Use the up and down arrow keys to select **BIOS Setup Utility**, then press **Enter**. The BIOS main menu displays on the monitor.
- 2 Use the up and down arrow keys to select the **Memory** menu, then press **Enter**. The Memory menu appears.
  - 3 Use the up and down arrow keys to select **Configure Memory RAS and Performance**, then press **Enter**. The Configure Memory RAS and Performance menu appears.
  - 4 Set the **Desired Memory Configuration** to either **Max Performance** or **Maximum Compatibility**.
  - 5 Select **View Configuration Details**.
    - Make sure **Configuration Possible** indicates **Yes**. If the option indicates **No**, you may need to install more memory to meet the requirements of the selected configuration.
    - Make sure that **Sparing** indicates **Yes**.
  - 6 Return to the **Memory menu** option and set the **Sparing Threshold** value from 1 through 15.
  - 7 Select **View and Configure Memory Board X** option (where X is the memory board that is being configured).  
Make sure that **Board Status** indicates **Healthy**.
  - 8 Set the **Reserve Rank for Spare** to **Enabled**.
  - 9 Press **F10** to save changes and exit.
  - 10 Press **Y** to confirm. The server reboots to activate the changes.

## Memory RAID

If four memory boards with equal memory capacity are installed on the server, the system can be configured for Memory RAID. Memory RAID mode acts similar to RAID level 4, where data is written to three of the memory boards and the fourth is held in reserve for memory parity information.

When one board fails, the memory subsystem operates in non-redundant mode. The data from the remaining three boards is used to reconstruct the data that was on the failed memory board. When the failed memory board location is hot-replace, the BIOS rebuilds the RAID by reconstructing the data that was on the previously failed memory board and writes the data to the newly installed board. When the rebuild is complete, the system is once again in redundant mode. The BIOS sets the memory board RAID LED to indicate that the memory board is operating in the memory RAID mode.

### To configure memory RAID

- 1 Do either option below:
  - Run BIOS setup. See “Entering BIOS setup” on page 96.
  - or -
  - a During system bootup, enter the **System Options Menu**. See “System options menu” on page 90.



- b Use the up and down arrow keys to select **BIOS Setup Utility**, then press Enter. The BIOS main menu displays on the monitor.

- 2 Use the up and down arrow keys to select the **Memory** menu, then press **Enter**. The Memory menu appears.
- 3 Use the up and down arrow keys to select **Configure Memory RAS and Performance**, then press Enter. The Configure Memory RAS and Performance menu appears.
- 4 Set the **Desired Memory Configuration** to **RAID**.
- 5 Select **View Configuration Details**.  
Make sure **Configuration Possible** indicates **Yes**. If the option indicates **No**, you may need to install more memory to meet the requirements of the selected configuration.
- 6 Press **F10** to save changes and exit.
- 7 Press **Y** to confirm. The server reboots to activate the changes.

## Memory mirroring

Memory mirror requires either two or four same size memory boards and provides redundancy at the cost of halving the effective memory size. The memory configuration allows for the hot-replacement of an existing board for a board containing an equal amount of memory or the hot-addition of two memory boards to a pair of empty memory board slots only.

A pair of memory boards in memory mirror mode forms a redundant group. One of the memory boards is designated the primary image and the other the secondary image. For memory writes, the write request is issued to both boards. For memory reads, the read request is issued to the primary memory board. In the event of a detected uncorrectable error, the primary and secondary images switches with each other and the failed image cannot become the primary image again until the failed DIMMs have been replaced and the image re-built. The first redundant group consists of memory board A mirrored with memory board B. The second redundant group consists of memory board C mirrored with memory board D. The BIOS sets the memory board mirror LED to indicate that the memory board is operating in the memoy mirror mode.

To configure memory mirroring:

- 1 Do either option below:
  - Run BIOS setup. See “Entering BIOS setup” on page 96.
  - or -
  - a During system bootup, enter the **System Options Menu**. See “System options menu” on page 90.



- b Use the up and down arrow keys to select **BIOS Setup Utility**, then press **Enter**. The BIOS main menu displays on the monitor.
- 2 Use the up and down arrow keys to select the **Memory** menu, then press **Enter**. The Memory menu appears.
- 3 Use the up and down arrow keys to select **Configure Memory RAS and Performance**, then press **Enter**. The Configure Memory RAS and Performance menu appears.
- 4 Set the **Desired Memory Configuration** to **Mirror**.
- 5 Select **View Configuration Details**.

Make sure **Configuration Possible** indicates **Yes**. If the option indicates **No**, you may need to install more memory to meet the requirements of the selected configuration.
- 6 Press **F10** to save changes and exit.
- 7 Press **Y** to confirm. The server reboots to activate the changes.





# Appendix C: Integrated SCSI hardware RAID configuration

This appendix shows you how to create a RAID volume with integrated SCSI hardware RAID.

# Configuring the integrated SCSI hardware RAID

This section briefly shows how to create RAID with integrated SCSI hardware RAID.

Starting integrated SCSI hardware RAID configuration utility

To start Integrated SCSI Hardware RAID Configuration Utility, press <CTRL-G> when you see the RAID BIOS during POST. After POST finished, the Adapter Selection page will show on the screen. Click **Start** to launch the configuration menu.

Loading factory default setting

- 1 In the Configuration menu, select **Adapter Properties**. The current adapter settings appear.
- 2 Change the setting of Set Factory Defaults from No to **Yes**, then click **Submit**.
- 3 Press <Ctrl+Alt+De>I to reboot the server.

Creating and Initialing a RAID Volume

- 1 Launch the Configuration menu.
- 2 Select **Configuration Wizard**.
- 3 Select **Add Configuration (default)** and click **Next**.
- 4 Select **Custom Configuration (default)** and click **Next**.
- 5 Select the drives that you want to add into the array using the <Ctrl> key.
- 6 After you select the drives, click **Accept Array** then **Next**.
- 7 Select the RAID Level you want to use, create the logical volume by specifying the size at Select Size and click **Accept** to create the logical volume.
- 8 After you create the logical volumes on all of the RAID volume, click **Accept** and **Yes** to save the configuration.

- 9 Click **Yes** to initialize the new logical drives. The logical drives will be listed.
- 10 Click **Home** to go back to the configuration menu.
- 11 Now you can reboot the system and install the Operating System. Select **Exit** and click **Yes**.
- 12 Press <Ctrl+Alt+Del> to reboot the system.

#### Assigning a hot spare disk

- 1 Launch the Configuration menu.
- 2 Select a free disk marked as Ready and listed under Physical Drives.
- 3 Select **Make Hotspare** and click **Go**.
- 4 Click **Home** to return to the Configuration menu. The disk will be marked as Hotspare in pink and listed under Physical Drives.

# Index

## Numerics

- 5.25-inch drive
  - installing 60

## A

- ARMC/3 module
  - installing 77
  - removing 77

## B

- BIOS menus
  - Devices 109
    - IDE Controller 110
    - LAN 112
    - Mass Storage 111
    - PCI 116
    - Serial 115
    - USB 114
    - Video 113
  - Main 98
  - Memory 103
    - Configure Memory RAS and Performance 104
    - View and Configure Memory Board # 108
  - Processor 100
    - Processor Information 102
  - Save, Restore & Exit 124
  - Security 122
    - changing password 123
    - removing password 123
    - Supervisor password 122
    - User password 122
  - Server Management 117
    - Console Redirection 118
    - FRB Information 121
    - FRU Information 119
    - SEL Logging 120
- BIOS setup 89
  - entering 96
- BMC module
  - installing 77
  - removing 77

## C

- center brace
  - installing 40
  - removing 40
- cold-plug
  - memory board 69
  - PCI card 76
- cold-plug memory board
  - installing 71
  - removing 70

- cold-pluggable components 57
- configuring memory
  - maximum compatibility 164
  - maximum performance 166
  - memory mirroring 172
  - memory RAID 170
  - memory sparing 168
- configuring the system OS 29
- CPU
  - installing 64
  - removing 62
- CPU air baffle
  - installing 39
  - removing 39

## D

- DIMM module
  - installation guidelines 72
- DIMMs
  - installing 73
  - removing 75
- DVD drive
  - installing 58
  - removing 58

## F

- front bezel 7
  - installing 35
  - removing 35
- front panel 7, 8
  - control buttons 9
  - LED indicators 10
- front panel control button
  - function 9

## H

- hardware RAID components 79
- HDD
  - installing 46
  - removing 45
- hot-plug
  - HDD 45
    - memory board 51
    - PCI card 55
    - power supply 49
    - system fan assembly 47
  - hot-plug memory board 20
    - installing 54
    - LED indicators 21
    - removing 53
  - hot-plug PCI card
    - installing 56
    - removing 55
- hot-pluggable components 44

## I

- installing
  - 5.25-inch drive 60
  - ARMC/3 module 77

- BMC module 77
- center brace 41
- cold-plug memory board 71
- CPU 64
- CPU air baffle 39
- DIMMs 73
- DVD drive 58
- front bezel 36
- HDD 46
- hot-plug memory board 54
- hot-plug PCI card 56
- memory board air baffle 43
- non-hot-plug PCI card 76
- power supply 50
- processor core VRM 68
- RAID activation key 80
- RAID BBU 85
- system fan assembly 48
- top cover 37
- internal components 16
- M**
- memory 51
  - reconfiguring 76
- memory board
  - cold-plug 52
  - hot-add 52
  - hot-replace 52
  - installation order 158
  - replacement options 52
- memory board air baffle
  - installing 43
  - processor core VRM 67
  - removing 42
- memory configuration 155
- memory modes 163
  - maximum compatibility 164
  - maximum performance 166
  - memory mirroring 172
  - memory RAID 170
  - memory sparing 168
- N**
- non-hot-plug PCI card
  - installing 76
  - removing 76
- O**
- opening the system 35
  - installing center brace 41
  - installing CPU air baffle 39
  - installing memory board air baffle 43
  - installing the front bezel 36
  - installing the top cover 37
  - removing center brace 40
  - removing CPU air baffle 38
  - removing memory board air baffle 42
  - removing the front bezel 35
- removing the top cover 36
- P**
- peripherals 26
- power cable 27
- power supply
  - installing 50
  - removing 50
- processor
  - upgrade guidelines 62
- processor core VRM
  - installing 68
- R**
- rack
  - installing 147
- rack installation 141
  - mounting pattern 146
  - precautions 143
- RAID activation key
  - installing 80
  - removing 80
- RAID BBU
  - installing 85
  - removing 83
- RAID cache
  - removing 81
- RAID configuration 175
  - SCSI hardware RAID utility
    - assign hot spare 178
    - create RAID Volume 177
    - using SCSI hardware RAID utility 177
- rear panel 13
  - LED indicators 14
- removing
  - ARMC/3 module 77
  - BMC module 77
  - center brace 40
  - cold-plug memory board 70
  - CPU 62
  - CPU air baffle 38
  - DIMMs 75
  - DVD drive 58
  - front bezel 35
  - HDD 45
  - hot-plug memory board 53
  - hot-plug PCI card 55
  - memory board air baffle 42
  - non-hot-plug PCI card 76
  - power supply 50
  - processor core VRM 67
  - RAID activation key 80
  - RAID BBU 83
  - RAID cache 81
  - system fan assembly 47
  - top cover 36
- S**
- setting up the system 25

- preinstallation requirements 25
- specification
  - BMC 5
  - chipset 3
  - graphic interface 5
  - I/O ports 5
  - Integrated Hardware RAID 4
  - media storage 4
  - memory subsystem 3
  - networking 5
  - OS 6
  - PCI I/O 5
  - power supply 6
  - processor 3
  - SCSI controller 4
  - serial ATA port 5
  - system fan 6
- storage devices
  - installing 5.25-inch drive 60
  - replacing DVD drive 58
- system boards 17
  - hot-plug memory board 20
  - mainboard 17
  - SCSI backplane board 19
  - SCSI backplane layout 19
- system fan assembly
  - installing 48
  - removing 47
- system features 3
- system jumpers 22
- system memory
  - reconfiguring 76
- system options menu 90
  - BIOS setup utility 94
  - boot maintenance manager 93
  - boot manager 92
  - continue booting 91
  - error manager 95
- system tour 1
- system upgrade 31
  - ESD precautions 33
  - installation precautions 33
  - post-installation instructions 34
  - preinstallation instructions 33

## T

- top cover
  - installing 37
  - removing 37
- troubleshooting 127
  - confirming loading of the OS 131
  - hardware diagnostic testing 131
  - problems 132
    - adapter stopped working 136
    - cannot connect to a server 135
    - cannot detect bootable drive 135
    - cannot detect memory 135
    - cannot eject DVD/CD tray 134
    - cannot read DVD/CD 134
    - controller stopped working 136
    - DVD/CD drive no light 134
    - HDD LED no light 133
    - HDD not recognized 134
    - initial system installation 129
    - LAN LED no light 136
    - network connection fails 136
    - no characters on screen 137
    - no video 136
    - power indicator no light 132
    - Processors not recognized 133
    - server boot does not complete POST 133
    - server turns off often 132
    - system fans do not rotate 139
  - resetting the system 129
  - verifying key system lights 131
- turning off the system 30
- turning on the system 27
  - power-on problems 28

## U

- upgrading the BIOS 125

